

-  Clear water
-  Domestic use
-  Civil use



### PERFORMANCE RANGE

- Flow rate up to **300 l/min** (18 m<sup>3</sup>/h)
- Head up to **20 m**

### APPLICATION LIMITS

- **10 m** maximum immersion depth (with a sufficiently long power cable)
- Maximum liquid temperature **+50 °C** (Maximum liquid temperature +90 °C for a maximum of 3 minutes intermittent service)
- Passage of suspended solids up to **Ø 10 mm**
- Suction level:
  - **14 mm** above ground level for RX 1-2-3
  - **25 mm** above ground level for RX 4-5
- Continuous service **S1**

### CONSTRUCTION AND SAFETY STANDARDS

The pumps are complete with:

- **5 m** long power cable for RX 1-2-3
- **10 m** long power cable for RX 4-5
- float switch for single-phase versions

EN 60335-1  
IEC 60335-1  
CEI 61-150

EN 60034-1  
IEC 60034-1  
CEI 2-3



### CERTIFICATIONS

Company with management system certified DNV  
ISO 9001: QUALITY  
ISO 14001: ENVIRONMENT



### INSTALLATION AND USE

The **RX** series pumps are suitable for use with **clear water** that does not contain abrasive particles.

Because of the design solutions that have been adopted, such as the complete cooling of the motor and the shaft with double seal, these pumps are easy to use and reliable.

They are suitable for use in fixed installations and applications such as draining small flooded areas (rooms, cellars, garages) in the event of an emergency, for the disposal of waste water in the home (from dishwashers, washing machines) and for emptying drainage traps.

### PATENTS - TRADE MARKS - MODELS

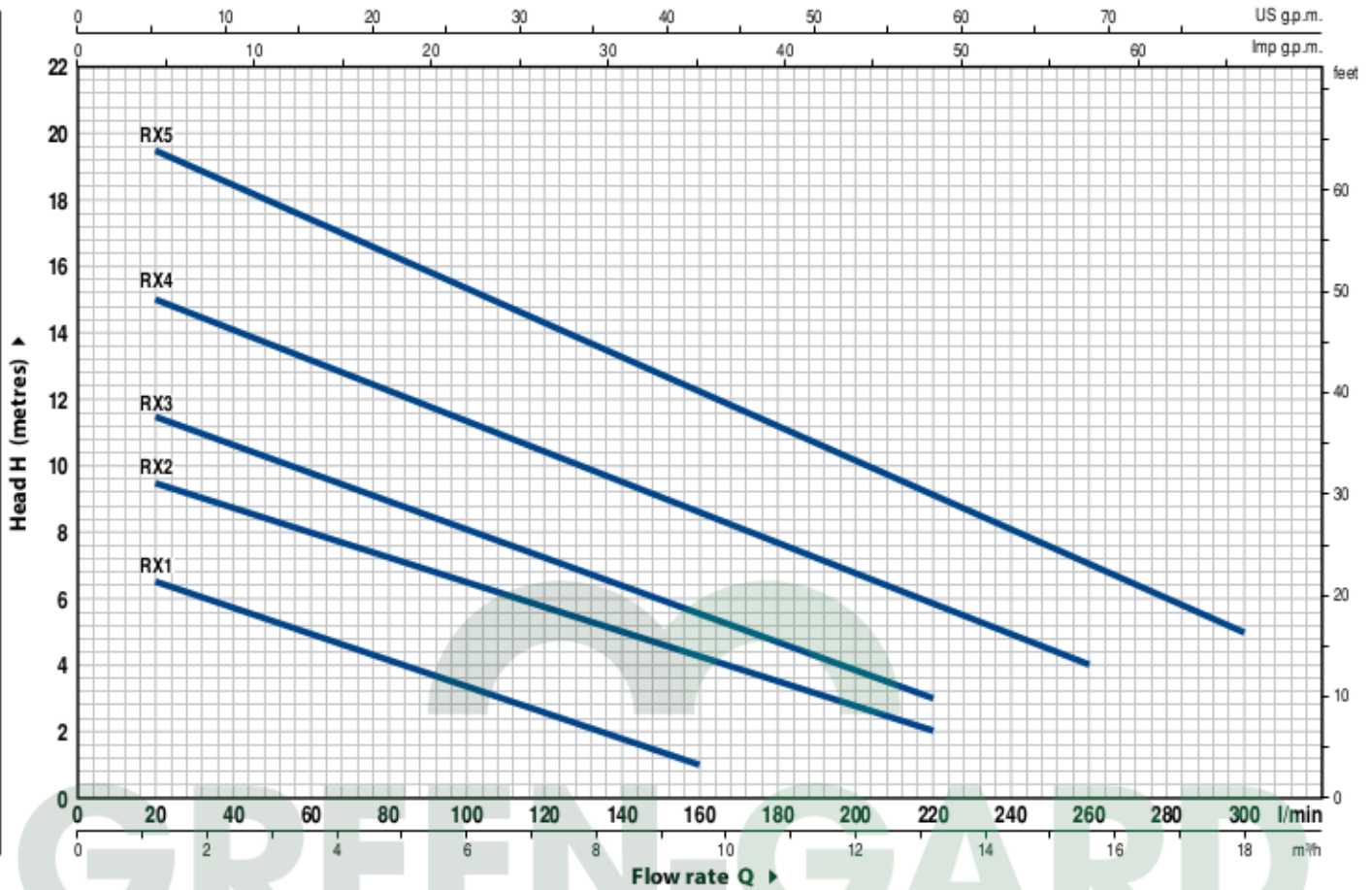
- Patent n. IT0001390742 (RX 4-5)
- Registered EU Design n. 342159-0013 (RX 1-2-3)

### OPTIONS AVAILABLE ON REQUEST

- **"RX-GM"** pumps with a vertical float switch (suitable for particularly small wells)
- Special mechanical seal
- RX 1-2-3 pumps with a **10 m** long power cable.
  - ⇒ N.B.: Standard EN 60335-2-41 states that the power cable must be 10 m long for outdoor applications
- Single-phase pumps without float switch
- Other voltages or 60 Hz frequency

### CHARACTERISTIC CURVES AND PERFORMANCE DATA

50 Hz n= 2900 rpm



MODEL		POWER (P <sub>2</sub> )		Q	H metres													
Single-phase	Three-phase	kW	HP		m <sup>3</sup> /h	0	1.2	3.6	6.0	8.4	9.6	12.0	13.2	15.6	18.0			
				l/min	0	20	60	100	140	160	200	220	260	300				
RXm 1	RX 1	0.25	0.33	H metres	7.5	6.5	5	3.5	2	1								
RXm 2	RX 2	0.37	0.50		10	9.5	8	6.5	5	4.5	2.5	2						
RXm 3	RX 3	0.55	0.75		12	11.5	9.5	8	6.5	5.5	3.5	3						
RXm 4	RX 4	0.75	1		16	15	13	11.5	9.5	8.5	6.5	5.5	4					
RXm 5	RX 5	1.1	1.5		20	19.5	17.5	15.5	13.5	12.5	10	9	7	5				

Q = Flow rate H = Total manometric head

Tolerance of characteristic curves in compliance with EN ISO 9906 Grade 3B.

# RX 1-2-3

## POS. COMPONENT CONSTRUCTION CHARACTERISTICS

1	<b>PUMP BODY</b>	Stainless steel AISI 304 with threaded port in compliance with ISO 228/1
2	<b>SUCTION FILTER</b>	Stainless steel AISI 304
3	<b>DIFFUSER</b>	Stainless steel AISI 304
4	<b>IMPELLER</b>	Stainless steel AISI 304
5	<b>MOTOR CASING</b>	Stainless steel AISI 304
6	<b>MOTOR CASING PLATE</b>	Stainless steel AISI 304
7	<b>MOTOR SHAFT</b>	Stainless steel EN 10088-3 - 1.4104

### 8 SHAFT WITH DOUBLE SEAL AND OIL CHAMBER

Seal Model	Shaft Diameter	Materials		
		Stationary ring	Rotational ring	Elastomer
STA-12R	Ø 12 mm	Ceramic	Graphite	NBR

### 9 LIP SEAL Ø 12 x Ø 19 x H 5 mm

### 10 BEARINGS 6201 ZZ / 6201 ZZ

### 11 CAPACITOR

Pump Single-phase	Capacitance	
	(230 V or 240 V)	(110 V)
RXm 1	10 µF 450 VL	16 µF - 250 VL
RXm 2	10 µF 450 VL	16 µF - 250 VL
RXm 3	14 µF 450 VL	16 µF - 250 VL

### 12 ELECTRIC MOTOR

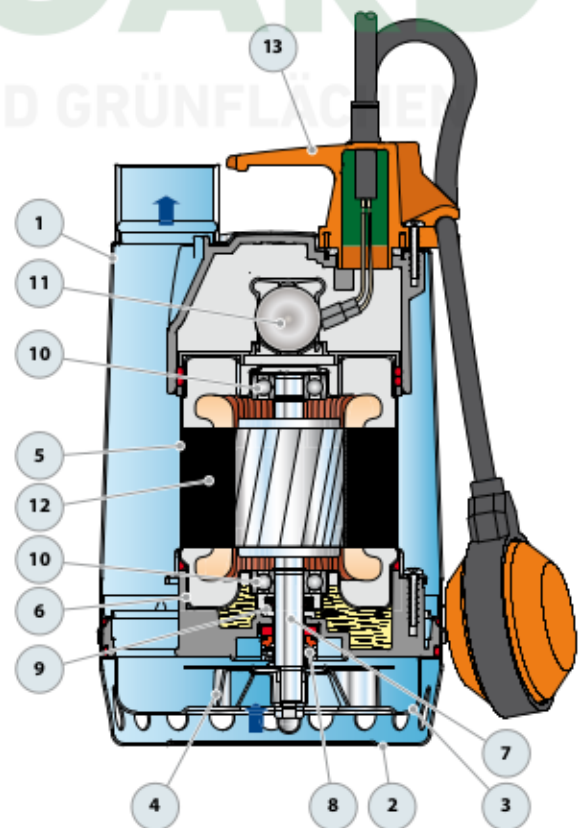
**RXm:** single-phase 230 V - 50 Hz  
with thermal overload protector incorporated into the winding

**RX:** three-phase 400 V - 50 Hz

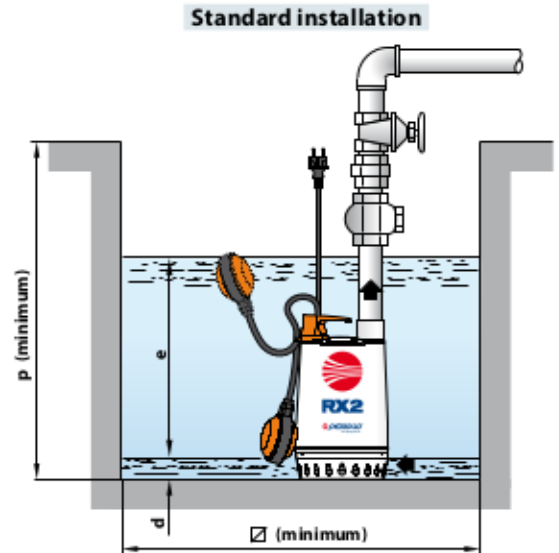
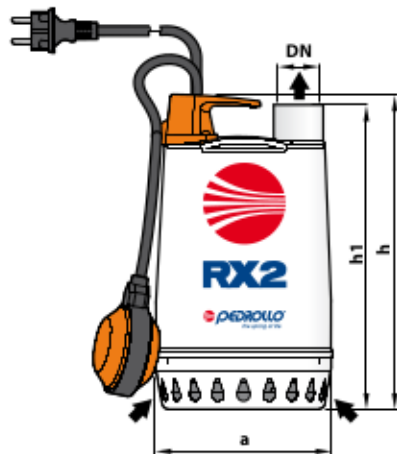
- Insulation: class F
- Protection: IP X8

### 13 HANDLE ASSEMBLY (resin sealed)

- Complete with:
- 5 metres long "H07 RN-F" power cable with Schuko plug
  - Float switch (Vertical float switch in the GM versions).

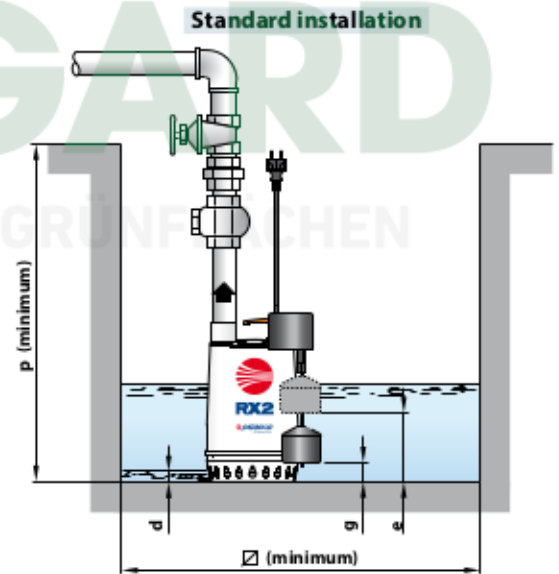
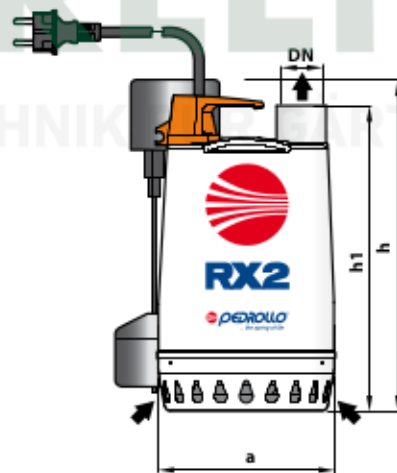


## DIMENSIONS AND WEIGHT



MODEL		PORT DN	DIMENSIONS mm							kg		PALLETIZATION	
Single-phase	Three-phase		a	h	h1	d	e	p	Ø	1~	3~	GROUPAGE n. pumps	CONTAINER n. pumps
RXm 1	RX 1	1 1/4"	147	255	247	14	variable	350	350	5.8	5.5	96	144
RXm 2	RX 2			285	277					5.8	5.5		
RXm 3	RX 3			7.2	7.2					96	144		

### Version with vertical float switch



MODEL		PORT DN	DIMENSIONS mm							kg		PALLETIZATION	
Single-phase	DN		a	h	h1	d	e	g	p	Ø	1~	GROUPAGE n. pumps	CONTAINER n. pumps
RXm 1-GM	1 1/4"	147	270	247	14	145	40	350	240	5.9	80	120	
RXm 2-GM						175	45			5.9			
RXm 3-GM						300	277			7.3			80

## ABSORPTION

MODEL	VOLTAGE		
	230 V	240 V	110 V
Single-phase	230 V	240 V	110 V
RXm 1	1.5 A	1.4 A	3.0 A
RXm 2	2.0 A	1.9 A	5.3 A
RXm 3	3.6 A	3.5 A	7.5 A

MODEL	VOLTAGE			
	230 V	400 V	240 V	415 V
Three-phase	230 V	400 V	240 V	415 V
RX 1	1.6 A	0.9 A	1.5 A	0.85 A
RX 2	1.8 A	1.0 A	1.7 A	0.95 A
RX 3	2.8 A	1.6 A	2.7 A	1.55 A

# RX 4-5

## POS. COMPONENT CONSTRUCTION CHARACTERISTICS

1	<b>PUMP BODY</b>	Stainless steel AISI 304 with threaded port in compliance with ISO 228/1			
2	<b>SUCTION FILTER</b>	Stainless steel AISI 304			
3	<b>DIFFUSER</b>	Stainless steel AISI 304			
4	<b>IMPELLER</b>	Stainless steel AISI 304			
5	<b>MOTOR CASING</b>	Stainless steel AISI 304			
6	<b>MOTOR CASING PLATE</b>	Stainless steel AISI 304			
7	<b>MOTOR SHAFT</b>	Stainless steel EN 10088-3 - 1.4104			
8	<b>SHAFT WITH DOUBLE MECHANICAL SEAL SEPARATED BY AN OIL CHAMBER</b>				
	<b>Seal</b>	<b>Shaft</b>	<b>Position</b>	<b>Materials</b>	
	<i>Model</i>	<i>Diameter</i>		<i>Stationary ring</i>	<i>Rotational ring</i>
	<b>MG1-14D SIC</b>	<b>Ø 14 mm</b>	Motor side Pump side	Silicon carbide Silicon carbide	Graphite Silicon carbide
					<i>Elastomer</i>
					NBR NBR

9	<b>BEARINGS</b>	<b>6203 ZZ-C3E / 6203 ZZ-C3E</b>	
10	<b>CAPACITOR</b>		
	<b>Pump</b>	<b>Capacitance</b>	
	<i>Single-phase</i>	<i>(230 V or 240 V)</i>	<i>(110 V)</i>
	<b>RXm 4</b>	<b>20 µF 450 VL</b>	<b>30 µF - 250 VL</b>
	<b>RXm 5</b>	<b>25 µF 450 VL</b>	<b>30 µF - 250 VL</b>

**11 ELECTRIC MOTOR**

**RXm:** single-phase 230 V - 50 Hz  
with thermal overload protector incorporated into the winding

**RX:** three-phase 400 V - 50 Hz

- Insulation: class F
- Protection: IP X8

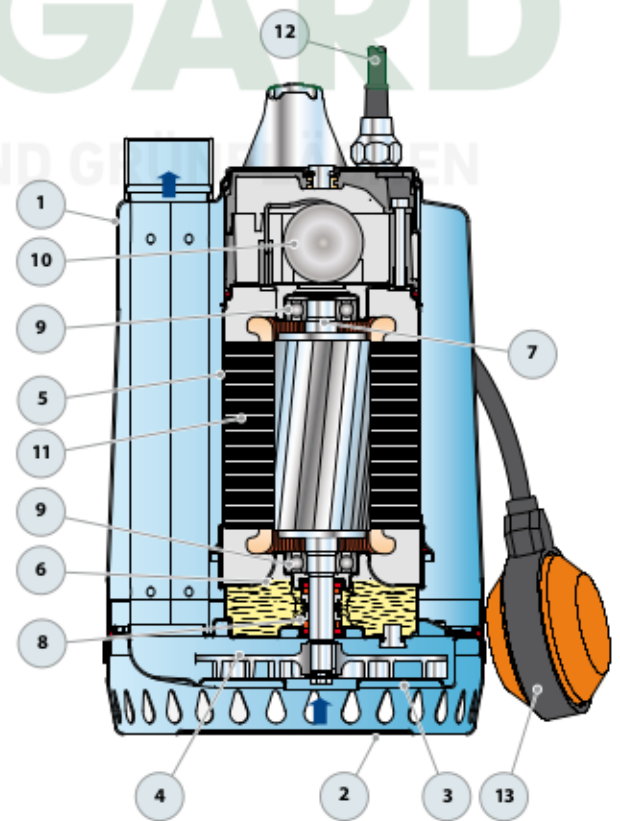
**12 POWER CABLE**

"H07 RN-F" type  
(with Schuko plug for single-phase versions only)

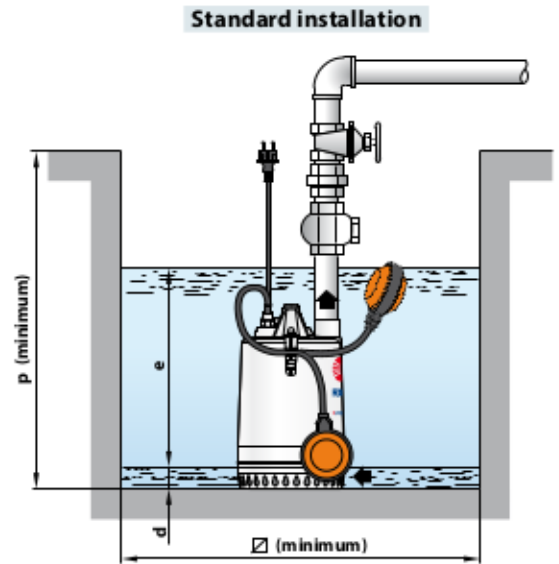
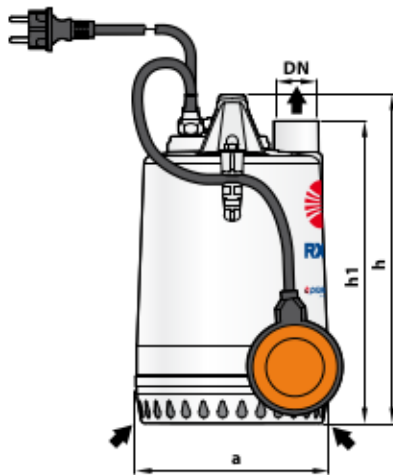
**Standard length 10 metres**

**13 FLOAT SWITCH**

Only for single-phase versions  
(Vertical float switch in the GM versions).

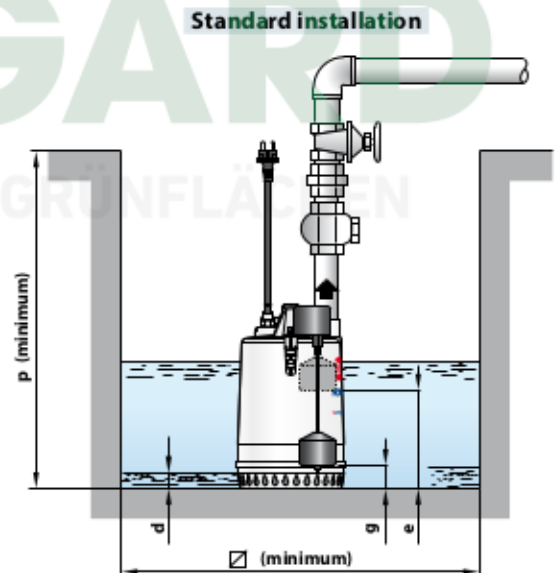
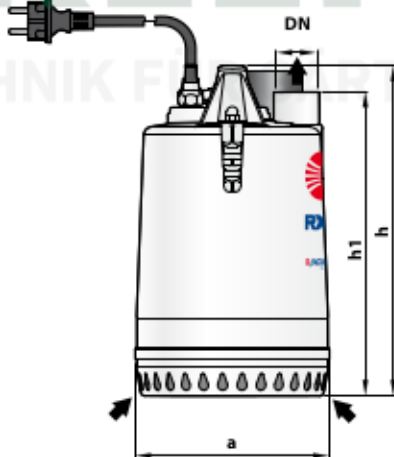


## DIMENSIONS AND WEIGHT



MODEL		PORT DN	DIMENSIONS mm							kg		PALLETIZATION	
Single-phase	Three-phase		a	h	h1	d	e	p	Ø	1~	3~	GROUPAGE n. pumps	CONTAINER n. pumps
RXm 4	RX 4	1½"	220	367	336	25	variable	500	500	12.7	11.9	45	60
RXm 5	RX 5									13.7	12.7	45	60

### Version with vertical float switch



MODEL	PORT DN	DIMENSIONS mm								kg	PALLETIZATION	
Single-phase	DN	a	h	h1	d	e	g	p	Ø	1~	GROUPAGE n. pumps	CONTAINER n. pumps
RXm 4 - GM	1½"	220	367	336	25	250	50	500	300	14.0	36	48
RXm 5 - GM										15.0	36	48

## ABSORPTION

MODEL	VOLTAGE		
Single-phase	230 V	240 V	110 V
RXm 4	5.4 A	5.3 A	10.8 A
RXm 5	7.5 A	7.4 A	15.0 A

MODEL	VOLTAGE			
Three-phase	230 V	400 V	240 V	415 V
RX 4	3.6 A	2.1 A	3.5 A	2.0 A
RX 5	6.0 A	3.5 A	5.9 A	3.4 A