

SUPS 4



Unterwasserpumpen

Einsatzgebiete

- Wasserversorgung
- Beregnung
- Springbrunnen-Anlagen
- Wärmepumpen
- Regenwassernutzung

Ausführung

Drehstrom:

Pumpe kpl. mit Drehstrommotor 3~ 400V, 50 Hz, 2800 min⁻¹, inklusive Rückschlagventil, ohne Kabelverbinder.

Wechselstrom:

Pumpe kpl. mit Wechselstrommotor 1~ 230V, 50 Hz, 2800 min⁻¹, mit Anlaufgerät, inklusive Motorschutzschalter und Rückschlagventil, ohne Kabelverbinder.

Antrieb

Schutzart..... IP 68
 Isolationsklasse..... B
 Spannung..... 1~ 230 V ± 10 %
 mit Anlaufgerät im ISO-Gehäuse
 Spannung..... 3~ 400 V ± 10 %
 Einschaltart..... Direktanlauf
 Drehzahl..... 2800 min⁻¹
 Frequenz..... 50 Hz

Technische Daten

Fördermenge Q bis max. 18 m³/h
 Förderhöhe H bis max. 415 mWs
 Medientemperatur..... t bis max. 30 °C
 Sandanteil..... bis max. 150 g/m³

Fördermedium

Reines, kaltes Wasser.

Werkstoffe

Pumpengehäuse Edelstahl 1.4301
 Stufen/Laufräder..... Edelstahl 1.4301
 Welle Edelstahl 1.4301
 Kupplung Edelstahl 1.4401
 Spaltring PTFE
 Lager/Zwischenlager NBR
 Sieb..... Edelstahl 1.4301

Typenschlüssel

SUPS 4-3-12

SUP SPECK Unterwasserpumpe
 S Edelstahlausführung
 4 Pumpentyp 4"
 3 Pumpengröße
 12 Stufenzahl

Zubehör

wie z.B. Unterwasserkabel als Kabelsatz, Schaltkästen, Trockenaufschutz usw. finden Sie auf den Seiten 127-139.

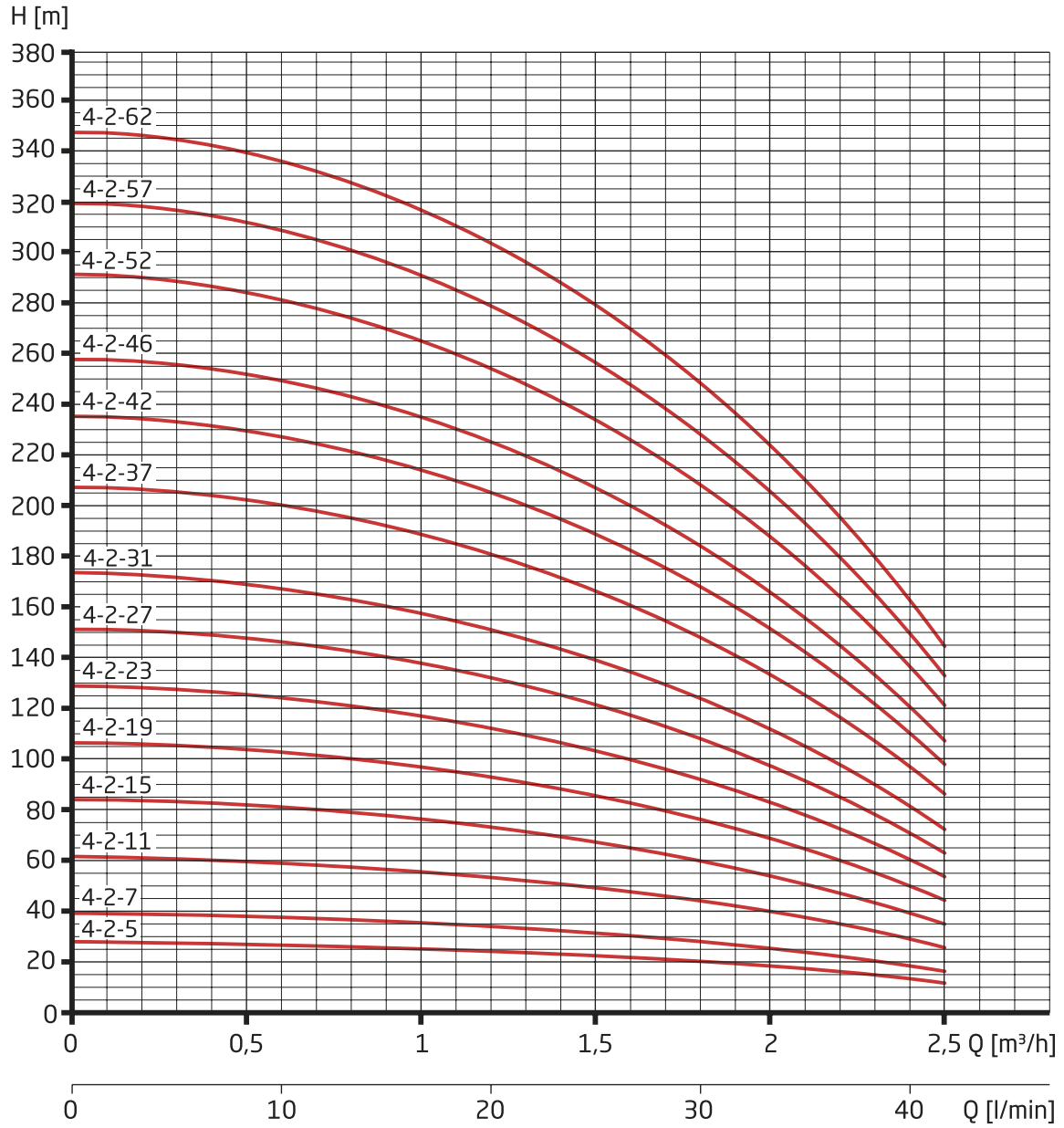
Sonderausführungen

- Sonderwerkstoffe 1.4401
- höhere Medientemperaturen

SUPS 4



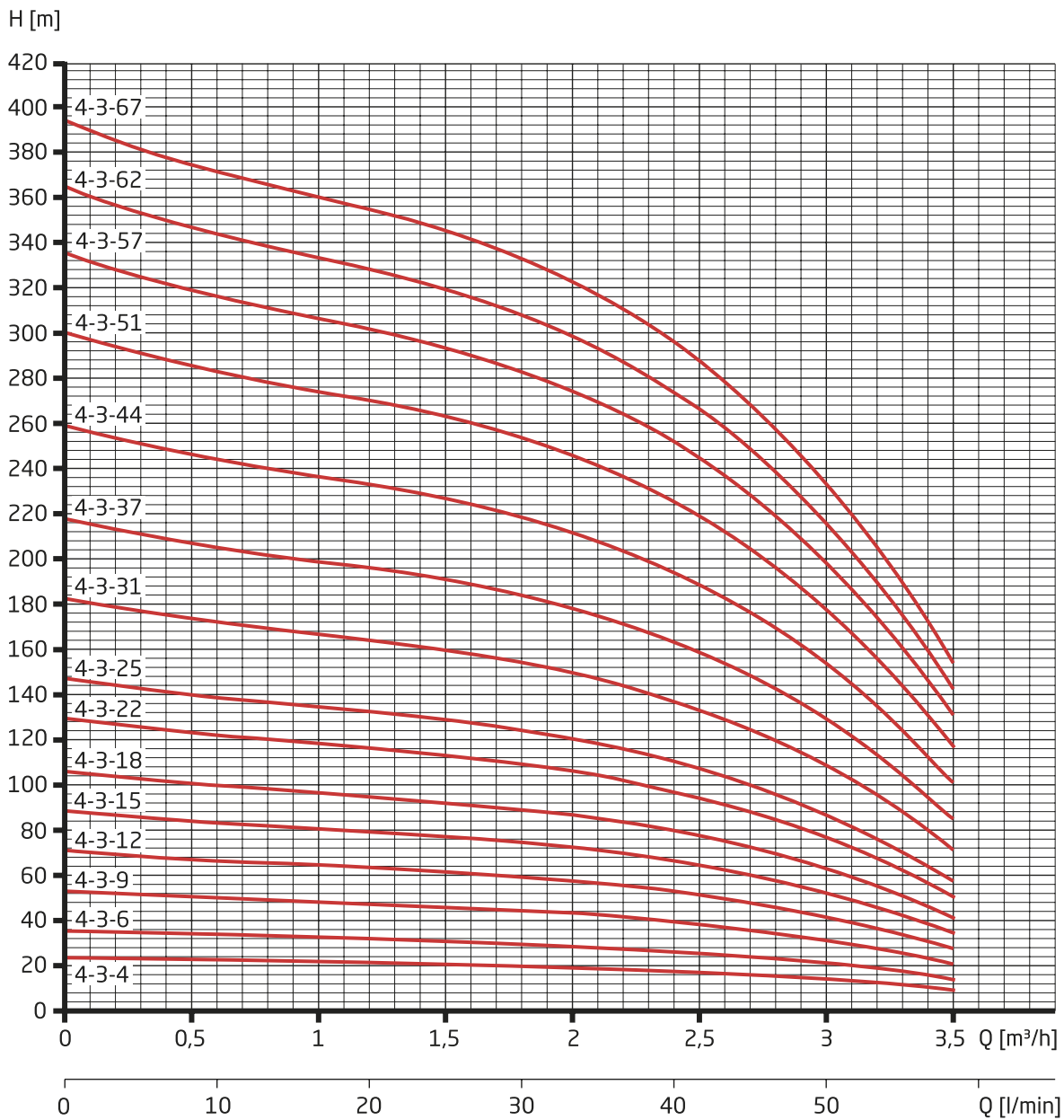
Kennlinien



SUPS 4



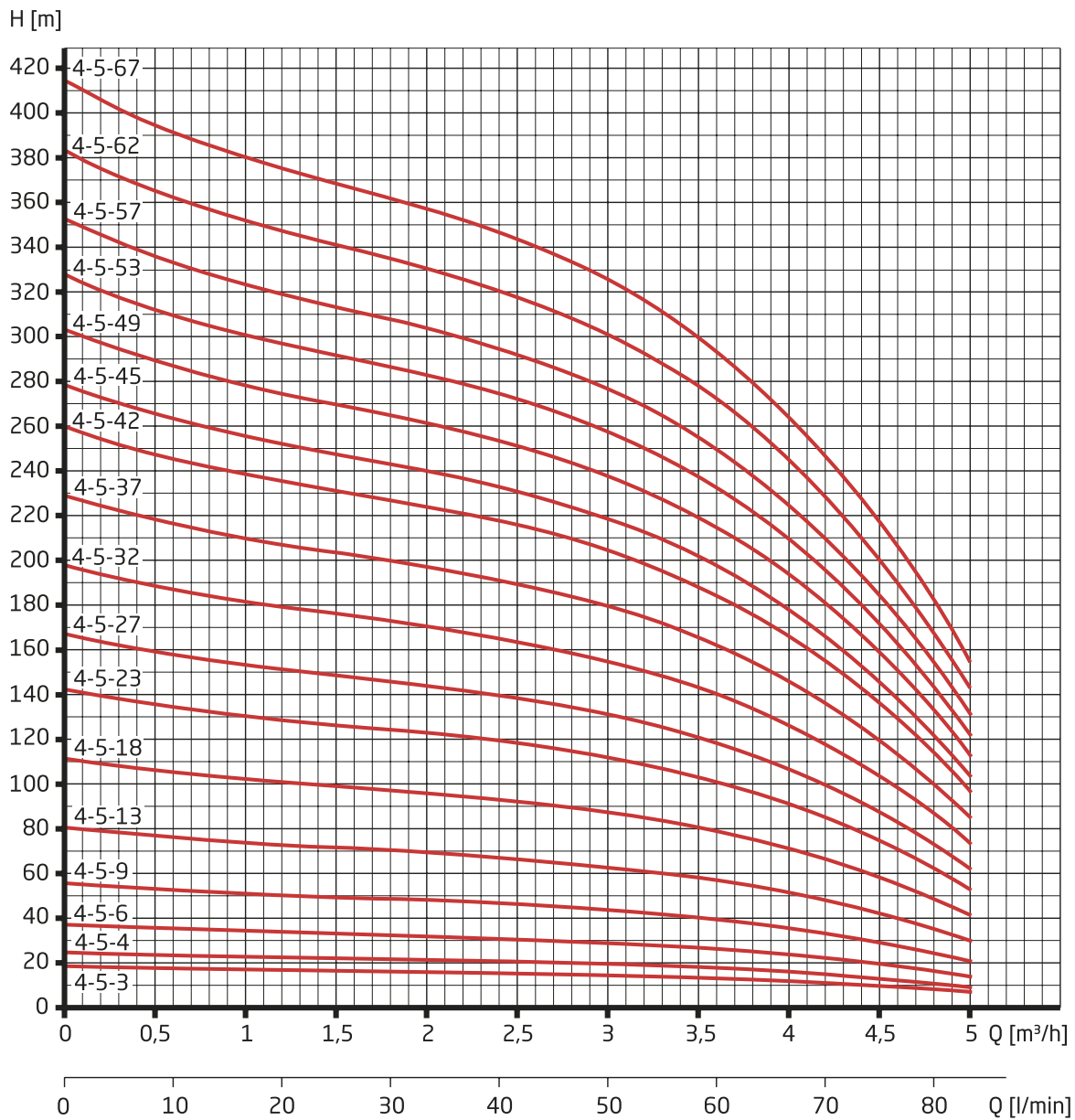
Kennlinien



SUPS 4



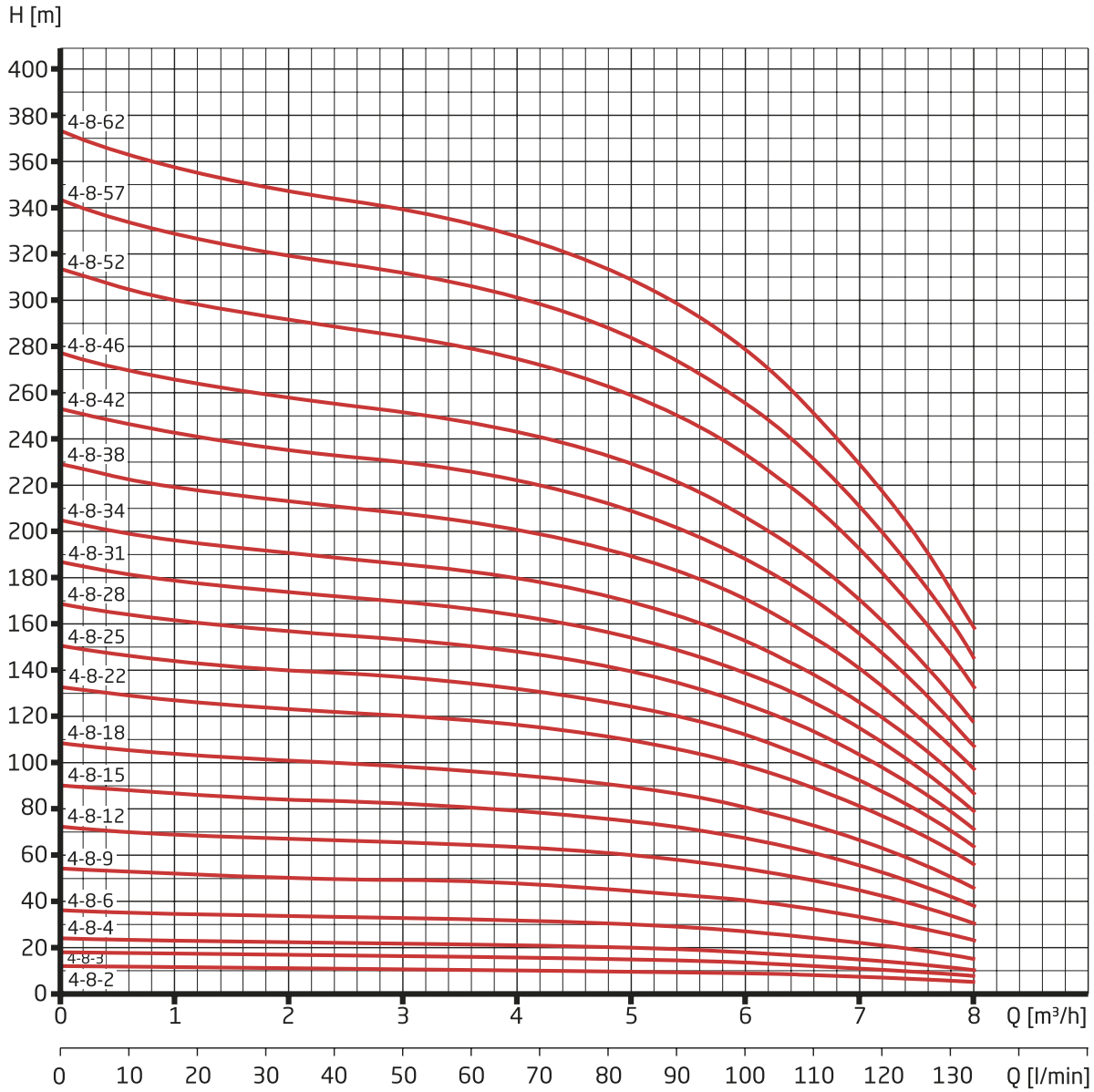
Kennlinien



SUPS 4



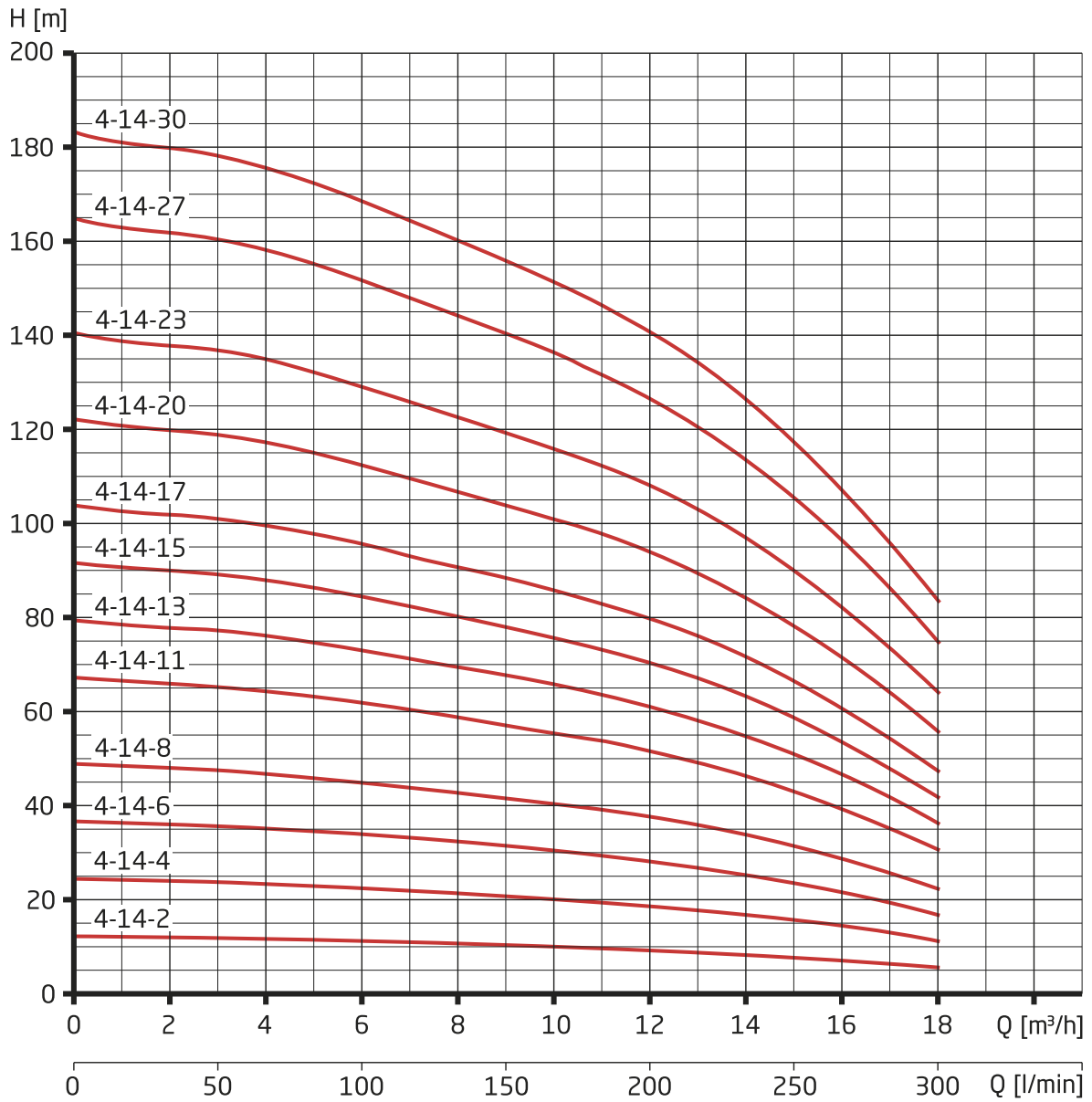
Kennlinien



SUPS 4



Kennlinien



SUPS 4



Technische Daten

Typ	Rohranschluss (Rp)	Leistungsabgabe P ₂ (kW)	Nennstrom (A) 3~ 400 V	Nennstrom (A) 1~ 230 V	Gewicht (kg) 3~/1~
SUPS 4-2-5	1 ½	0,25	0,68	2,40	8,80/9,80
SUPS 4-2-7	1 ½	0,37	1,10	3,30	9,80/11,40
SUPS 4-2-11	1 ½	0,55	1,60	4,30	11,90/12,70
SUPS 4-2-15	1 ½	0,75	2,00	5,70	14,20/16,20
SUPS 4-2-19	1 ½	1,10	2,80	8,40	16,80/18,70
SUPS 4-2-23	1 ½	1,10	2,80	8,40	18,10/20,00
SUPS 4-2-27	1 ½	1,50	3,90	10,70	20,50/22,80
SUPS 4-2-31	1 ½	1,50	3,90	10,70	21,80/24,10
SUPS 4-2-37	1 ½	2,20	5,50	14,70	25,30/30,90
SUPS 4-2-42	1 ½	2,20	5,50	14,70	27,00/32,60
SUPS 4-2-46	1 ½	2,20	5,50	14,70	28,30/33,90
SUPS 4-2-52	1 ½	3,00	7,50	-	32,80/-
SUPS 4-2-57	1 ½	3,00	7,50	-	34,50/-
SUPS 4-2-62	1 ½	3,00	7,50	-	36,20/-
SUPS 4-3-4	1 ½	0,25	0,68	2,40	8,70/9,70
SUPS 4-3-6	1 ½	0,37	1,10	3,30	9,40/11,00
SUPS 4-3-9	1 ½	0,55	1,60	4,30	11,20/13,20
SUPS 4-3-12	1 ½	0,75	2,00	5,70	13,10/15,10
SUPS 4-3-15	1 ½	1,10	2,80	8,40	15,40/17,30
SUPS 4-3-18	1 ½	1,10	2,80	8,40	16,30/18,20
SUPS 4-3-22	1 ½	1,50	3,90	10,70	18,70/21,00
SUPS 4-3-25	1 ½	1,50	3,90	10,70	19,70/22,00
SUPS 4-3-31	1 ½	2,20	5,50	14,70	23,10/28,70
SUPS 4-3-37	1 ½	2,20	5,50	14,70	25,10/30,70
SUPS 4-3-44	1 ½	3,00	7,50	-	29,90/-
SUPS 4-3-51	1 ½	3,00	7,50	-	32,20/-
SUPS 4-3-57	1 ½	3,70	9,00	-	39,70/-
SUPS 4-3-62	1 ½	3,70	9,00	-	41,30/-
SUPS 4-3-67	1 ½	4,00	9,90	-	44,20/-
SUPS 4-5-3	1 ½	0,25	0,38	2,40	8,40/9,40
SUPS 4-5-4	1 ½	0,37	1,10	3,30	8,70/10,30
SUPS 4-5-6	1 ½	0,55	1,60	4,30	10,20/12,20
SUPS 4-5-9	1 ½	0,75	2,00	5,70	12,10/14,10
SUPS 4-5-13	1 ½	1,10	2,80	8,40	14,70/16,60
SUPS 4-5-18	1 ½	1,50	3,90	10,70	17,30/19,60
SUPS 4-5-23	1 ½	2,20	5,50	14,70	20,50/26,10
SUPS 4-5-27	1 ½	2,20	5,50	14,70	21,80/27,40
SUPS 4-5-32	1 ½	3,00	7,50	-	26,00/-
SUPS 4-5-37	1 ½	3,00	7,50	-	27,60/-
SUPS 4-5-42	1 ½	3,70	9,00	-	34,70/-
SUPS 4-5-45	1 ½	3,70	9,00	-	35,70/-
SUPS 4-5-49	1 ½	4,00	9,90	-	37,90/-
SUPS 4-5-53	1 ½	5,50	12,60	-	45,90/-
SUPS 4-5-57	1 ½	5,50	12,60	-	47,20/-
SUPS 4-5-62	1 ½	5,50	12,60	-	48,80/-
SUPS 4-5-67	1 ½	5,50	12,60	-	50,50/-

SUPS 4



Technische Daten

Typ	Rohranschluss (Rp)	Leistungsabgabe P ₂ (kW)	Nennstrom (A) 3~ 400 V	Nennstrom (A) 1~ 230 V	Gewicht (kg) 3~/1~
SUPS 4-8-2	2	0,25	0,68	2,40	8,10/9,10
SUPS 4-8-3	2	0,37	1,10	3,30	8,50/10,10
SUPS 4-8-4	2	0,55	1,60	4,30	9,60/11,60
SUPS 4-8-6	2	0,75	2,00	5,70	11,20/13,20
SUPS 4-8-9	2	1,10	2,80	8,40	13,50/15,40
SUPS 4-8-12	2	1,50	3,90	10,70	15,60/17,90
SUPS 4-8-15	2	2,20	5,50	14,70	18,10/23,70
SUPS 4-8-18	2	2,20	5,50	14,70	19,10/24,70
SUPS 4-8-22	2	3,00	7,50	-	23,00/-
SUPS 4-8-25	2	3,00	7,50	-	24,10/-
SUPS 4-8-28	2	3,70	9,00	-	30,60/-
SUPS 4-8-31	2	3,70	9,00	-	31,60/-
SUPS 4-8-34	2	4,00	9,90	-	33,60/-
SUPS 4-8-38	2	5,50	12,60	-	41,50/-
SUPS 4-8-42	2	5,50	12,60	-	42,90/-
SUPS 4-8-46	2	5,50	12,60	-	44,30/-
SUPS 4-8-52	2	7,50	17,10	-	50,40/-
SUPS 4-8-57	2	7,50	17,10	-	52,10/-
SUPS 4-8-62	2	7,50	17,10	-	53,80/-
SUPS 4-14-2	2	0,55	1,60	-	13,10/-
SUPS 4-14-4	2	1,10	2,80	-	17,50/-
SUPS 4-14-6	2	1,50	3,90	-	20,50/-
SUPS 4-14-8	2	2,20	5,50	-	23,70/-
SUPS 4-14-11	2	3,00	7,50	-	28,90/-
SUPS 4-14-13	2	3,00	7,50	-	30,90/-
SUPS 4-14-15	2	3,70	9,00	-	36,80/-
SUPS 4-14-17	2	4,00	9,90	-	39,40/-
SUPS 4-14-20	2	5,50	12,60	-	49,10/-
SUPS 4-14-23	2	5,50	12,60	-	51,80/-
SUPS 4-14-27	2	7,50	17,10	-	59,70/-
SUPS 4-14-30	2	7,50	17,10	-	62,60/-

SUPS 4



Bestellinformationen

Typ	Drehstrom 3~ 400 V Artikel-Nr.	UVP netto	UVP brutto	Wechselstrom 1~ 230 V Artikel-Nr.	UVP netto	UVP brutto
SUPS 4-2-5	514.1402.057	700,00 €	833,00 €	514.1402.058	739,50 €	880,00 €
SUPS 4-2-7	514.1402.077	710,92 €	846,00 €	514.1402.078	750,42 €	893,00 €
SUPS 4-2-11	514.1402.117	810,08 €	964,00 €	514.1402.118	860,50 €	1.024,00 €
SUPS 4-2-15	514.1402.157	947,06 €	1.127,00 €	514.1402.158	1.003,36 €	1.194,00 €
SUPS 4-2-19	514.1402.197	1.059,66 €	1.261,00 €	514.1402.198	1.133,61 €	1.349,00 €
SUPS 4-2-23	514.1402.237	1.146,22 €	1.364,00 €	514.1402.238	1.219,33 €	1.451,00 €
SUPS 4-2-27	514.1402.277	1.282,35 €	1.526,00 €	514.1402.278	1.488,24 €	1.771,00 €
SUPS 4-2-31	514.1402.317	1.382,35 €	1.645,00 €	514.1402.318	1.584,87 €	1.886,00 €
SUPS 4-2-37	514.1402.377	1.811,76 €	2.156,00 €	514.1402.378	2.111,76 €	2.513,00 €
SUPS 4-2-42	514.1402.427	1.950,42 €	2.321,00 €	514.1402.428	2.253,78 €	2.682,00 €
SUPS 4-2-46	514.1402.467	2.075,63 €	2.470,00 €	514.1402.468	2.377,31 €	2.829,00 €
SUPS 4-2-52	514.1402.527	2.278,99 €	2.712,00 €	-	-	-
SUPS 4-2-57	514.1402.577	2.376,47 €	2.828,00 €	-	-	-
SUPS 4-2-62	514.1402.627	2.412,61 €	2.871,00 €	-	-	-
SUPS 4-3-4	514.1403.047	769,75 €	916,00 €	514.1403.048	715,97 €	852,00 €
SUPS 4-3-6	514.1403.067	685,71 €	816,00 €	514.1403.068	727,73 €	866,00 €
SUPS 4-3-9	514.1403.097	748,74 €	891,00 €	514.1403.098	800,00 €	952,00 €
SUPS 4-3-12	514.1403.127	822,69 €	979,00 €	514.1403.128	877,31 €	1.044,00 €
SUPS 4-3-15	514.1403.157	906,72 €	1.079,00 €	514.1403.158	979,83 €	1.166,00 €
SUPS 4-3-18	514.1403.187	1.009,24 €	1.201,00 €	514.1403.188	1.082,35 €	1.288,00 €
SUPS 4-3-22	514.1403.227	1.200,84 €	1.429,00 €	514.1403.228	1.404,20 €	1.671,00 €
SUPS 4-3-25	514.1403.257	1.263,03 €	1.503,00 €	514.1403.258	1.466,39 €	1.745,00 €
SUPS 4-3-31	514.1403.317	1.438,66 €	1.712,00 €	514.1403.318	1.739,50 €	2.070,00 €
SUPS 4-3-37	514.1403.377	1.575,63 €	1.875,00 €	514.1403.378	1.878,15 €	2.235,00 €
SUPS 4-3-44	514.1403.447	2.057,98 €	2.449,00 €	-	-	-
SUPS 4-3-51	514.1403.517	2.220,17 €	2.642,00 €	-	-	-
SUPS 4-3-57	514.1403.577	2.450,42 €	2.916,00 €	-	-	-
SUPS 4-3-62	514.1403.627	2.553,78 €	3.039,00 €	-	-	-
SUPS 4-3-67	514.1403.677	2.689,08 €	3.200,00 €	-	-	-
SUPS 4-5-3	514.1405.037	665,55 €	792,00 €	514.1405.038	705,04 €	839,00 €
SUPS 4-5-4	514.1405.047	675,63 €	804,00 €	514.1405.048	715,13 €	851,00 €
SUPS 4-5-6	514.1405.067	742,02 €	883,00 €	514.1405.068	793,28 €	944,00 €
SUPS 4-5-9	514.1405.097	777,31 €	925,00 €	514.1405.098	833,61 €	992,00 €
SUPS 4-5-13	514.1405.137	919,33 €	1.094,00 €	514.1405.138	992,44 €	1.181,00 €
SUPS 4-5-18	514.1405.187	1.105,88 €	1.316,00 €	514.1405.188	1.318,49 €	1.569,00 €
SUPS 4-5-23	514.1405.237	1.321,85 €	1.573,00 €	514.1405.238	1.622,69 €	1.931,00 €
SUPS 4-5-27	514.1405.277	1.474,79 €	1.755,00 €	514.1405.278	1.777,31 €	2.115,00 €
SUPS 4-5-32	514.1405.327	1.703,36 €	2.027,00 €	-	-	-
SUPS 4-5-37	514.1405.377	1.806,72 €	2.150,00 €	-	-	-
SUPS 4-5-42	514.1405.427	2.478,15 €	2.949,00 €	-	-	-
SUPS 4-5-45	514.1405.457	2.600,84 €	3.095,00 €	-	-	-
SUPS 4-5-49	514.1405.497	2.748,74 €	3.271,00 €	-	-	-
SUPS 4-5-53	514.1405.537	3.002,52 €	3.573,00 €	-	-	-
SUPS 4-5-57	514.1405.577	3.068,07 €	3.651,00 €	-	-	-
SUPS 4-5-62	514.1405.627	3.132,77 €	3.728,00 €	-	-	-
SUPS 4-5-67	514.1405.677	3.188,24 €	3.794,00 €	-	-	-

SUPS 4

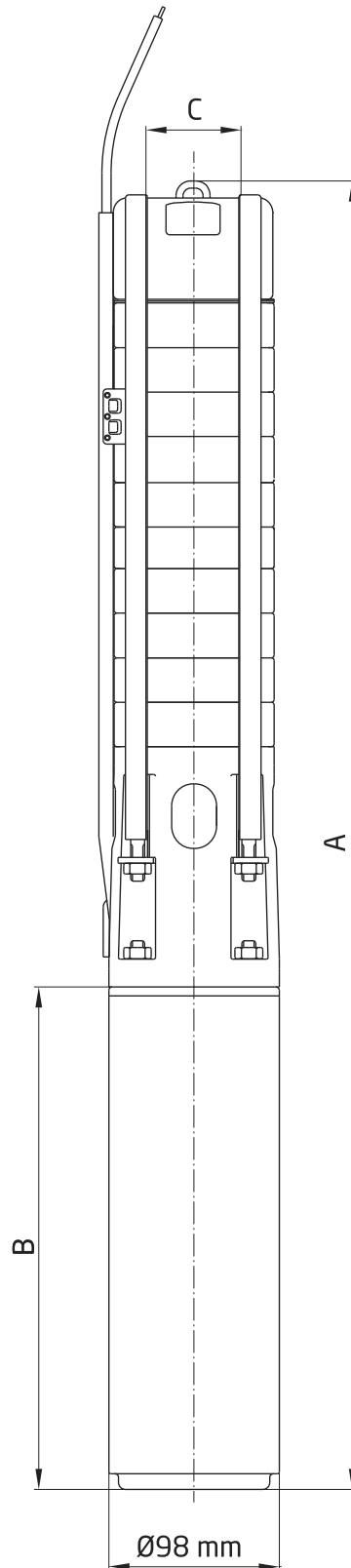


Typ	Drehstrom 3~ 400 V Artikel-Nr.	UVP netto	UVP brutto	Wechselstrom 1~ 230 V Artikel-Nr.	UVP netto	UVP brutto
SUPS 4-8-2	514.1408.027	744,54 €	886,00 €	514.1408.028	691,60 €	823,00 €
SUPS 4-8-3	514.1408.037	661,34 €	787,00 €	514.1408.038	703,36 €	837,00 €
SUPS 4-8-4	514.1408.047	687,39 €	818,00 €	514.1408.048	738,66 €	879,00 €
SUPS 4-8-6	514.1408.067	745,38 €	887,00 €	514.1408.068	801,68 €	954,00 €
SUPS 4-8-9	514.1408.097	844,54 €	1.005,00 €	514.1408.098	919,33 €	1.094,00 €
SUPS 4-8-12	514.1408.127	975,63 €	1.161,00 €	514.1408.128	1.223,53 €	1.456,00 €
SUPS 4-8-15	514.1408.157	1.231,93 €	1.466,00 €	514.1408.158	1.542,86 €	1.836,00 €
SUPS 4-8-18	514.1408.187	1.301,68 €	1.549,00 €	514.1408.188	1.614,29 €	1.921,00 €
SUPS 4-8-22	514.1408.227	1.568,07 €	1.866,00 €	-	-	-
SUPS 4-8-25	514.1408.257	1.641,18 €	1.953,00 €	-	-	-
SUPS 4-8-28	514.1408.287	1.847,90 €	2.199,00 €	-	-	-
SUPS 4-8-31	514.1408.317	1.921,85 €	2.287,00 €	-	-	-
SUPS 4-8-34	514.1408.347	2.020,17 €	2.404,00 €	-	-	-
SUPS 4-8-38	514.1408.387	2.438,66 €	2.902,00 €	-	-	-
SUPS 4-8-42	514.1408.427	2.939,50 €	3.498,00 €	-	-	-
SUPS 4-8-46	514.1408.467	3.081,51 €	3.667,00 €	-	-	-
SUPS 4-8-52	514.1408.527	3.452,10 €	4.108,00 €	-	-	-
SUPS 4-8-57	514.1408.577	3.594,96 €	4.278,00 €	-	-	-
SUPS 4-8-62	514.1408.627	3.741,18 €	4.452,00 €	-	-	-
SUPS 4-14-2	514.1414.027	847,90 €	1.009,00 €	-	-	-
SUPS 4-14-4	514.1414.047	1.037,82 €	1.235,00 €	-	-	-
SUPS 4-14-6	514.1414.067	1.216,81 €	1.448,00 €	-	-	-
SUPS 4-14-8	514.1414.087	1.427,73 €	1.699,00 €	-	-	-
SUPS 4-14-11	514.1414.117	1.852,10 €	2.204,00 €	-	-	-
SUPS 4-14-13	514.1414.137	2.003,36 €	2.384,00 €	-	-	-
SUPS 4-14-15	514.1414.157	2.263,03 €	2.693,00 €	-	-	-
SUPS 4-14-17	514.1414.177	2.488,24 €	2.961,00 €	-	-	-
SUPS 4-14-20	514.1414.207	2.823,53 €	3.360,00 €	-	-	-
SUPS 4-14-23	514.1414.237	3.048,74 €	3.628,00 €	-	-	-
SUPS 4-14-27	514.1414.277	3.569,75 €	4.248,00 €	-	-	-
SUPS 4-14-30	514.1414.307	3.800,84 €	4.523,00 €	-	-	-

SUPS 4



Abmessungen



SUPS 4



Abmessungen

Typ	A 3~/1~	B 3~/1~	C
SUPS 4-2-5	538/538	237/237	Rp 1 ½
SUPS 4-2-7	610/624	237/251	Rp 1 ½
SUPS 4-2-11	721/746	251/276	Rp 1 ½
SUPS 4-2-15	837/863	271/297	Rp 1 ½
SUPS 4-2-19	960/984	297/321	Rp 1 ½
SUPS 4-2-23	1056/1080	297/321	Rp 1 ½
SUPS 4-2-27	1177/1209	321/353	Rp 1 ½
SUPS 4-2-31	1273/1305	321/353	Rp 1 ½
SUPS 4-2-37	1450/1548	353/451	Rp 1 ½
SUPS 4-2-42	1570/1668	353/451	Rp 1 ½
SUPS 4-2-46	1667/1765	353/451	Rp 1 ½
SUPS 4-2-52	1867/-	408/-	Rp 1 ½
SUPS 4-2-57	1987/-	408/-	Rp 1 ½
SUPS 4-2-62	2108/-	408/-	Rp 1 ½
SUPS 4-3-4	537/537	237/237	Rp 1 ½
SUPS 4-3-6	568/600	237/251	Rp 1 ½
SUPS 4-3-9	672/697	251/276	Rp 1 ½
SUPS 4-3-12	764/790	271/297	Rp 1 ½
SUPS 4-3-15	863/887	297/321	Rp 1 ½
SUPS 4-3-18	935/959	297/321	Rp 1 ½
SUPS 4-3-22	1056/1088	321/353	Rp 1 ½
SUPS 4-3-25	112/1160	321/353	Rp 1 ½
SUPS 4-3-31	1305/1403	353/451	Rp 1 ½
SUPS 4-3-37	1449/1547	353/451	Rp 1 ½
SUPS 4-3-44	1673/-	408/-	Rp 1 ½
SUPS 4-3-51	1842/-	408/-	Rp 1 ½
SUPS 4-3-57	2099/-	520/-	Rp 1 ½
SUPS 4-3-62	2219/-	520/-	Rp 1 ½
SUPS 4-3-67	2363/-	543/-	Rp 1 ½
SUPS 4-5-3	513/513	237/237	Rp 1 ½
SUPS 4-5-4	537/551	237/251	Rp 1 ½
SUPS 4-5-6	600/625	251/276	Rp 1 ½
SUPS 4-5-9	692/718	271/297	Rp 1 ½
SUPS 4-5-13	815/839	297/321	Rp 1 ½
SUPS 4-5-18	959/991	321/353	Rp 1 ½
SUPS 4-5-23	1112/1210	353/451	Rp 1 ½
SUPS 4-5-27	1208/1306	353/451	Rp 1 ½
SUPS 4-5-32	1384/-	408/-	Rp 1 ½
SUPS 4-5-37	1504/-	408/-	Rp 1 ½
SUPS 4-5-42	1737/-	520/-	Rp 1 ½
SUPS 4-5-45	1809/-	520/-	Rp 1 ½
SUPS 4-5-49	1929/-	543/-	Rp 1 ½
SUPS 4-5-53	2135/-	652/-	Rp 1 ½
SUPS 4-5-57	2232/-	652/-	Rp 1 ½
SUPS 4-5-62	2352/-	652/-	Rp 1 ½
SUPS 4-5-67	2473/-	652/-	Rp 1 ½

Typ	A 3~/1~	B 3~/1~	C
SUPS 4-8-2	489/489	237/237	Rp 2
SUPS 4-8-3	513/527	237/251	Rp 2
SUPS 4-8-4	551/576	251/276	Rp 2
SUPS 4-8-6	620/646	271/297	Rp 2
SUPS 4-8-9	718/742	297/321	Rp 2
SUPS 4-8-12	814/846	321/353	Rp 2
SUPS 4-8-15	919/1017	353/451	Rp 2
SUPS 4-8-18	991/1089	353/451	Rp 2
SUPS 4-8-22	1143/-	408/-	Rp 2
SUPS 4-8-25	1215/-	408/-	Rp 2
SUPS 4-8-28	1399/-	520/-	Rp 2
SUPS 4-8-31	1472/-	520/-	Rp 2
SUPS 4-8-34	1567/-	543/-	Rp 2
SUPS 4-8-38	1774/-	652/-	Rp 2
SUPS 4-8-42	1870/-	652/-	Rp 2
SUPS 4-8-46	1967/-	652/-	Rp 2
SUPS 4-8-52	2189/-	730/-	Rp 2
SUPS 4-8-57	2340/-	730/-	Rp 2
SUPS 4-8-62	2340/-	730/-	Rp 2
SUPS 4-14-2	567/-	226/-	Rp 2
SUPS 4-14-4	773/-	282/-	Rp 2
SUPS 4-14-6	948/-	307/-	Rp 2
SUPS 4-14-8	1130/-	339/-	Rp 2
SUPS 4-14-11	1410/-	394/-	Rp 2
SUPS 4-14-13	1560/-	394/-	Rp 2
SUPS 4-14-15	1836/-	520/-	Rp 2
SUPS 4-14-17	2009/-	543/-	Rp 2
SUPS 4-14-20	2344/-	653/-	Rp 2
SUPS 4-14-23	2569/-	653/-	Rp 2
SUPS 4-14-27	2947/-	731/-	Rp 2
SUPS 4-14-30	3172/-	731/-	Rp 2

SUPS 4



Borehole pumps

Field of application

- Water supply
- Irrigation
- Fountain units
- Heat pumps
- Rainwater utilisation

Design

Three-phase:

Pump complete with three phase motor 3~ 400V, 50 Hz, 2800 rpm, including non-return valve, without cable connectors.

Single phase:

Pump complete with single-phase motor 1~ 230V, 50 Hz, 2800 rpm, with start-up device, including motor protection switch and non-return valve, without cable connectors

Motor

Protection class IP 68
 Class of insulation..... B
 Voltage..... 1~ 230 V ± 10 %
 with start-up device in ISO housing
 Voltage..... 3~ 400 V ± 10 %
 Start type direct start
 Motor speed 2800 rpm
 Frequency 50 Hz

Technical data

Flow rate..... Q up to max. 8 m³/h
 Total dynamic head H up to max. 415 mWs
 Fluid temperature..... t up to max. 30 °C
 Sand content..... up to max. 150 g/m³

Pumped fluid

Pure, cold water.

Materials used

Pump housing..... stainless steel AISI 304
 Stages/impellers stainless steel AISI 304
 Shaft stainless steel AISI 304
 Coupling..... stainless steel AISI 304
 Wear ring PTFE
 Bearings/intermediate bearings NBR
 Strainer..... stainless steel AISI 304

Type key

SUPS 4-3-12

SUP SPECK borehole pump
 S stainless steel design
 4 pump type 4"
 3 pump size
 12 number of stages

Accessories

Accessories such as underwater cables, control boxes, dry run protection etc. can be found on pages 127-139.

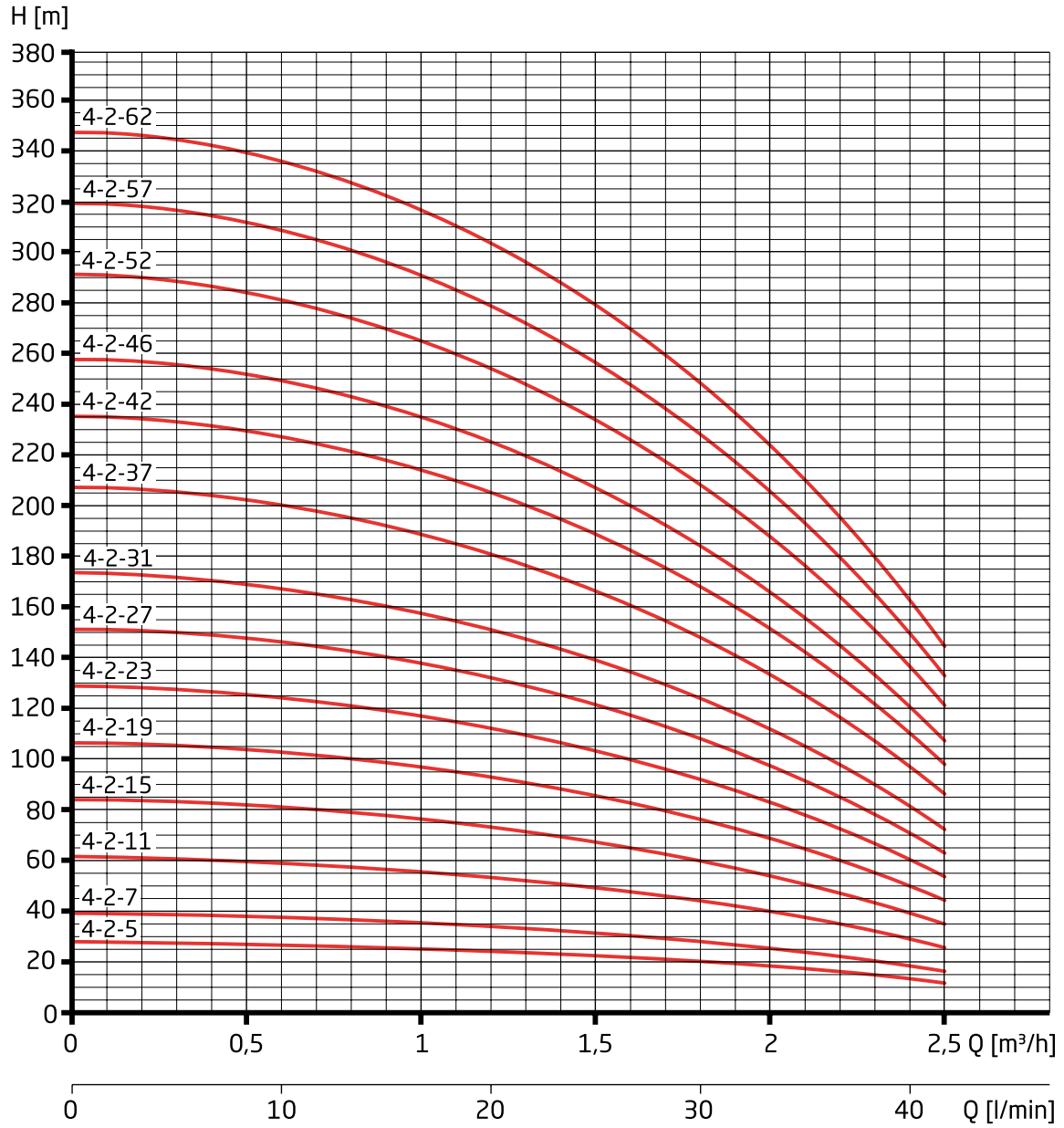
Special editions

- Special material AISI 316
- Higher fluid temperatures

SUPS 4



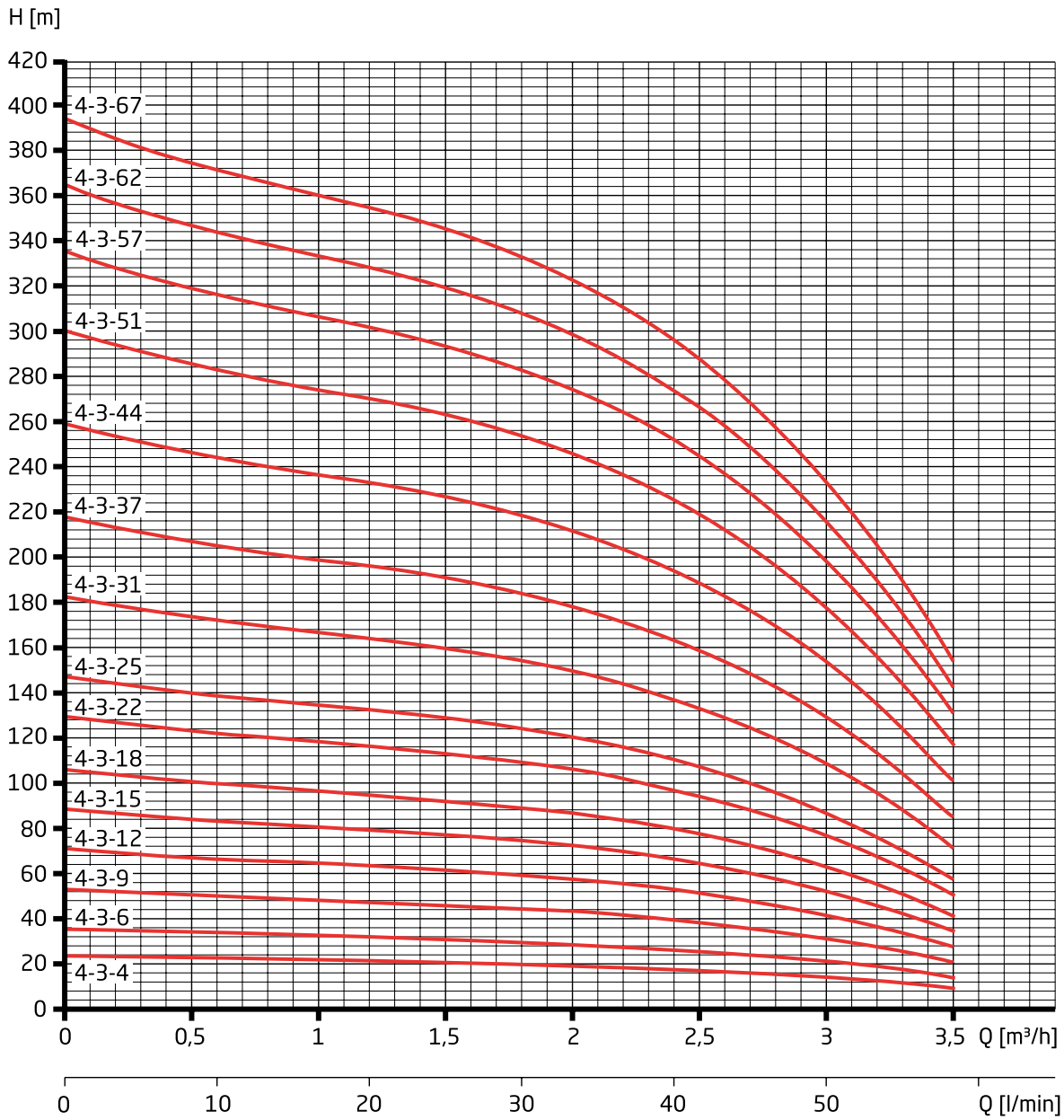
Characteristics



SUPS 4



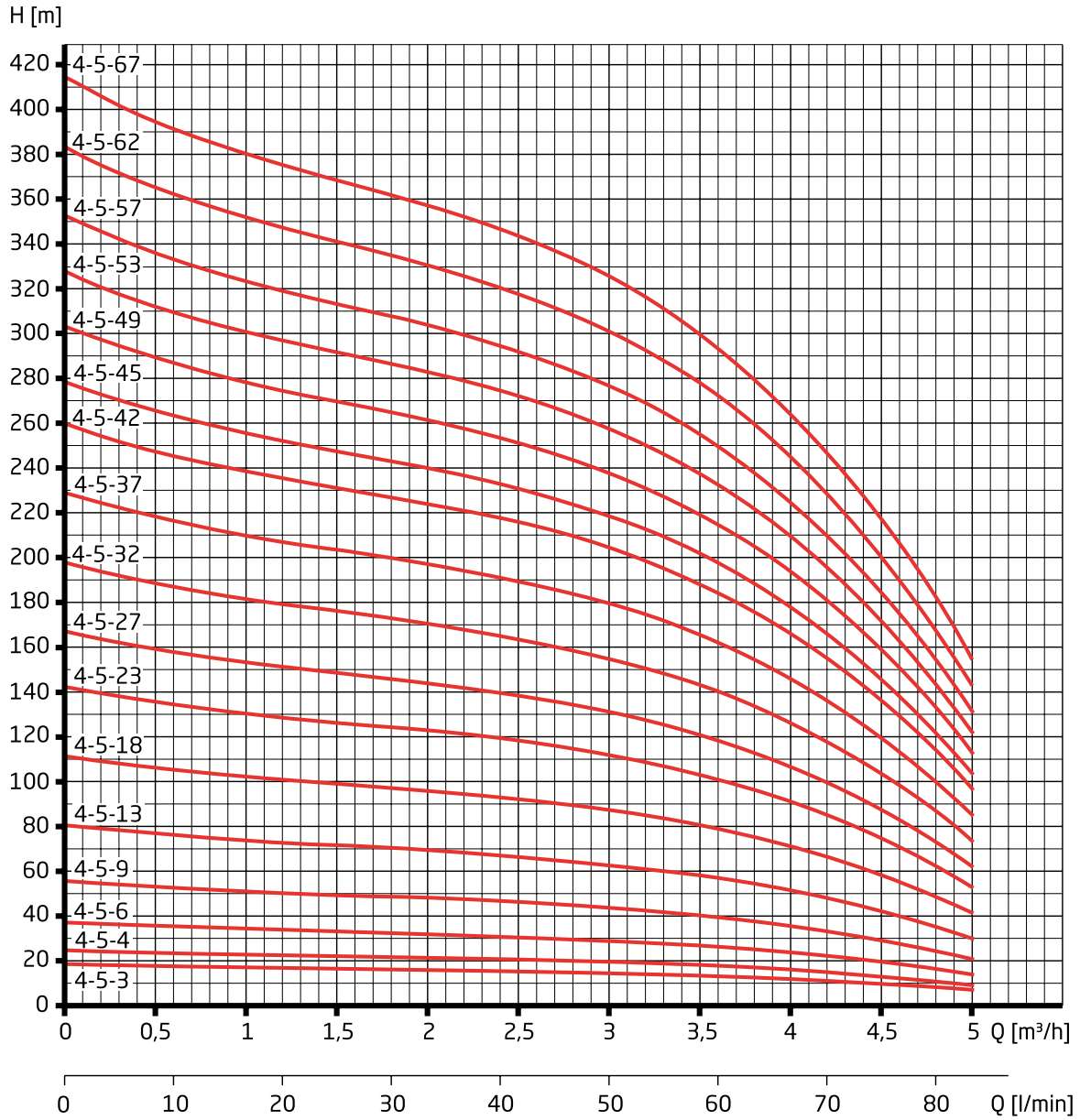
Characteristics



SUPS 4



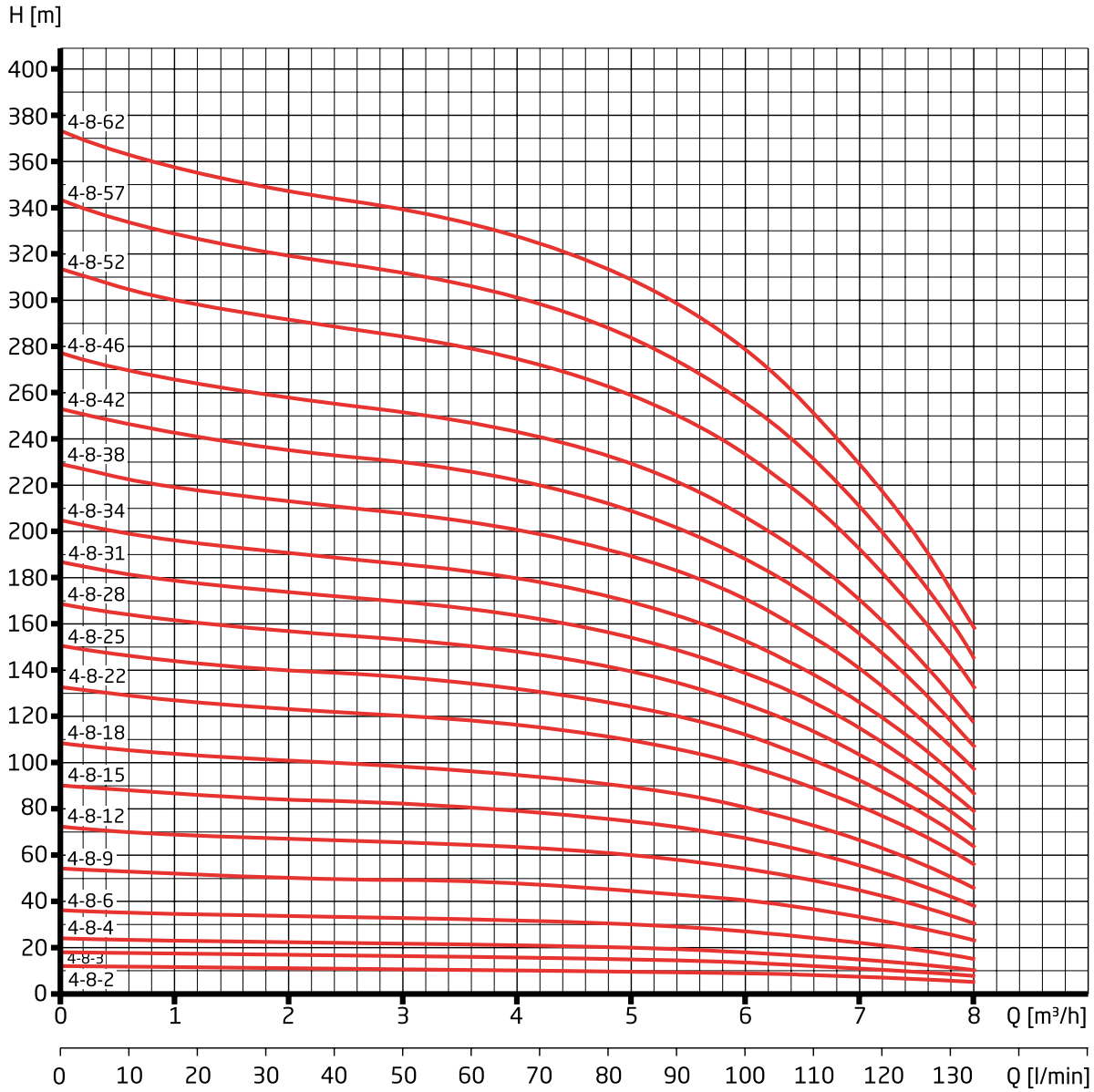
Characteristics



SUPS 4



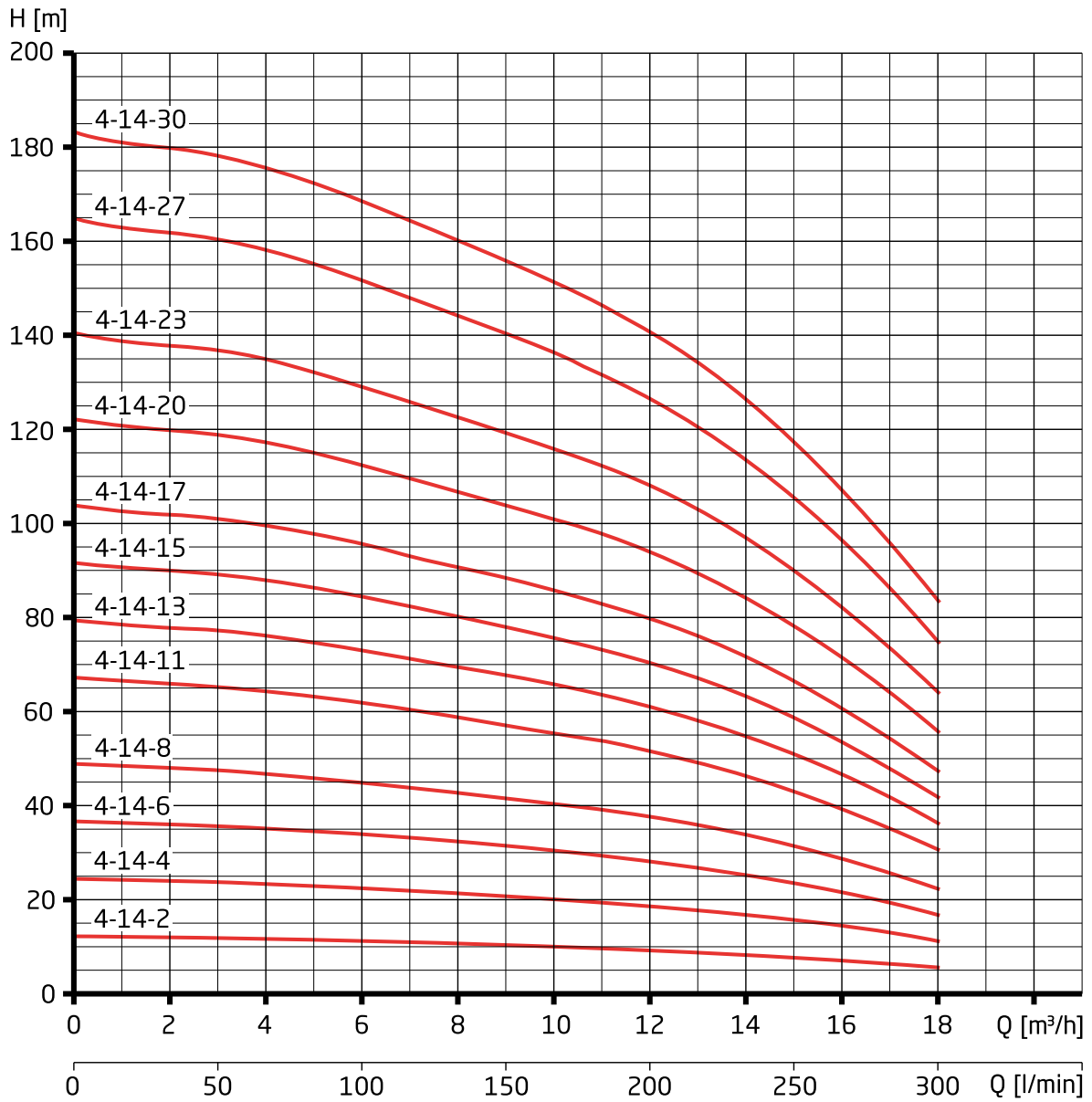
Characteristics



SUPS 4



Characteristics



SUPS 4



Technical data

Type	Pipe connection (Rp)	Power output P ₂ (kW)	Rated current (A) 3~ 400 V	Rated current (A) 1~ 230 V	Weight (kg) 3~/1~
SUPS 4-2-5	1 ½	0.25	0.68	2.40	8.80/9.80
SUPS 4-2-7	1 ½	0.37	1.10	3.30	9.80/11.40
SUPS 4-2-11	1 ½	0.55	1.60	4.30	11.90/12.70
SUPS 4-2-15	1 ½	0.75	2.00	5.70	14.20/16.20
SUPS 4-2-19	1 ½	1.10	2.80	8.40	16.80/18.70
SUPS 4-2-23	1 ½	1.10	2.80	8.40	18.10/20.00
SUPS 4-2-27	1 ½	1.50	3.90	10.70	20.50/22.80
SUPS 4-2-31	1 ½	1.50	3.90	10.70	21.80/24.10
SUPS 4-2-37	1 ½	2.20	5.50	14.70	25.30/30.90
SUPS 4-2-42	1 ½	2.20	5.50	14.70	27.00/32.60
SUPS 4-2-46	1 ½	2.20	5.50	14.70	28.30/33.90
SUPS 4-2-52	1 ½	3.00	7.50	-	32.80/-
SUPS 4-2-57	1 ½	3.00	7.50	-	34.50/-
SUPS 4-2-62	1 ½	3.00	7.50	-	36.20/-
SUPS 4-3-4	1 ½	0.25	0.68	2.40	8.70/9.70
SUPS 4-3-6	1 ½	0.37	1.10	3.30	9.40/11.00
SUPS 4-3-9	1 ½	0.55	1.60	4.30	11.20/13.20
SUPS 4-3-12	1 ½	0.75	2.00	5.70	13.10/15.10
SUPS 4-3-15	1 ½	1.10	2.80	8.40	15.40/17.30
SUPS 4-3-18	1 ½	1.10	2.80	8.40	16.30/18.20
SUPS 4-3-22	1 ½	1.50	3.90	10.70	18.70/21.00
SUPS 4-3-25	1 ½	1.50	3.90	10.70	19.70/22.00
SUPS 4-3-31	1 ½	2.20	5.50	14.70	23.10/28.70
SUPS 4-3-37	1 ½	2.20	5.50	14.70	25.10/30.70
SUPS 4-3-44	1 ½	3.00	7.50	-	29.90/-
SUPS 4-3-51	1 ½	3.00	7.50	-	32.20/-
SUPS 4-3-57	1 ½	3.70	9.00	-	39.70/-
SUPS 4-3-62	1 ½	3.70	9.00	-	41.30/-
SUPS 4-3-67	1 ½	4.00	9.90	-	44.20/-
SUPS 4-5-3	1 ½	0.25	0.38	2.40	8.40/9.40
SUPS 4-5-4	1 ½	0.37	1.10	3.30	8.70/10.30
SUPS 4-5-6	1 ½	0.55	1.60	4.30	10.20/12.20
SUPS 4-5-9	1 ½	0.75	2.00	5.70	12.10/14.10
SUPS 4-5-13	1 ½	1.10	2.80	8.40	14.70/16.60
SUPS 4-5-18	1 ½	1.50	3.90	10.70	17.30/19.60
SUPS 4-5-23	1 ½	2.20	5.50	14.70	20.50/26.10
SUPS 4-5-27	1 ½	2.20	5.50	14.70	21.80/27.40
SUPS 4-5-32	1 ½	3.00	7.50	-	26.00/-
SUPS 4-5-37	1 ½	3.00	7.50	-	27.60/-
SUPS 4-5-42	1 ½	3.70	9.00	-	34.70/-
SUPS 4-5-45	1 ½	3.70	9.00	-	35.70/-
SUPS 4-5-49	1 ½	4.00	9.90	-	37.90/-
SUPS 4-5-53	1 ½	5.50	12.60	-	45.90/-
SUPS 4-5-57	1 ½	5.50	12.60	-	47.20/-
SUPS 4-5-62	1 ½	5.50	12.60	-	48.80/-
SUPS 4-5-67	1 ½	5.50	12.60	-	50.50/-

SUPS 4



Technical data

Typ	Pipe connection (Rp)	Power output P ₂ (kW)	Rated current (A) 3~ 400 V	Rated current (A) 1~ 230 V	Weight (kg) 3~/1~
SUPS 4-8-2	2	0.25	0.68	2.40	8.10/9.10
SUPS 4-8-3	2	0.37	1.10	3.30	8.50/10.10
SUPS 4-8-4	2	0.55	1.60	4.30	9.60/11.60
SUPS 4-8-6	2	0.75	2.00	5.70	11.20/13.20
SUPS 4-8-9	2	1.10	2.80	8.40	13.50/15.40
SUPS 4-8-12	2	1.50	3.90	10.70	15.60/17.90
SUPS 4-8-15	2	2.20	5.50	14.70	18.10/23.70
SUPS 4-8-18	2	2.20	5.50	14.70	19.10/24.70
SUPS 4-8-22	2	3.00	7.50	-	23.00/-
SUPS 4-8-25	2	3.00	7.50	-	24.10/-
SUPS 4-8-28	2	3.70	9.00	-	30.60/-
SUPS 4-8-31	2	3.70	9.00	-	31.60/-
SUPS 4-8-34	2	4.00	9.90	-	33.60/-
SUPS 4-8-38	2	5.50	12.60	-	41.50/-
SUPS 4-8-42	2	5.50	12.60	-	42.90/-
SUPS 4-8-46	2	5.50	12.60	-	44.30/-
SUPS 4-8-52	2	7.50	17.10	-	50.40/-
SUPS 4-8-57	2	7.50	17.10	-	52.10/-
SUPS 4-8-62	2	7.50	17.10	-	53.80/-
SUPS 4-14-2	2	0.55	1.60	-	13.10/-
SUPS 4-14-4	2	1.10	2.80	-	17.50/-
SUPS 4-14-6	2	1.50	3.90	-	20.50/-
SUPS 4-14-8	2	2.20	5.50	-	23.70/-
SUPS 4-14-11	2	3.00	7.50	-	28.90/-
SUPS 4-14-13	2	3.00	7.50	-	30.90/-
SUPS 4-14-15	2	3.70	9.00	-	36.80/-
SUPS 4-14-17	2	4.00	9.90	-	39.40/-
SUPS 4-14-20	2	5.50	12.60	-	49.10/-
SUPS 4-14-23	2	5.50	12.60	-	51.80/-
SUPS 4-14-27	2	7.50	17.10	-	59.70/-
SUPS 4-14-30	2	7.50	17.10	-	62.60/-

SUPS 4



Order information

Type	Three phase 3~ 400 V article no.	Net RRP	Gross RRP	Single-phase 1~ 230 V article no.	Net RRP	Gross RRP
SUPS 4-2-5	514.1402.057	700.00 €	833.00 €	514.1402.058	739.50 €	880.00 €
SUPS 4-2-7	514.1402.077	710.92 €	846.00 €	514.1402.078	750.42 €	893.00 €
SUPS 4-2-11	514.1402.117	810.08 €	964.00 €	514.1402.118	860.50 €	1,024.00 €
SUPS 4-2-15	514.1402.157	947.06 €	1,127.00 €	514.1402.158	1,003.36 €	1,194.00 €
SUPS 4-2-19	514.1402.197	1,059.66 €	1,261.00 €	514.1402.198	1,133.61 €	1,349.00 €
SUPS 4-2-23	514.1402.237	1,146.22 €	1,364.00 €	514.1402.238	1,219.33 €	1,451.00 €
SUPS 4-2-27	514.1402.277	1,282.35 €	1,526.00 €	514.1402.278	1,488.24 €	1,771.00 €
SUPS 4-2-31	514.1402.317	1,382.35 €	1,645.00 €	514.1402.318	1,584.87 €	1,886.00 €
SUPS 4-2-37	514.1402.377	1,811.76 €	2,156.00 €	514.1402.378	2,111.76 €	2,513.00 €
SUPS 4-2-42	514.1402.427	1,950.42 €	2,321.00 €	514.1402.428	2,253.78 €	2,682.00 €
SUPS 4-2-46	514.1402.467	2,075.63 €	2,470.00 €	514.1402.468	2,377.31 €	2,829.00 €
SUPS 4-2-52	514.1402.527	2,278.99 €	2,712.00 €	-	-	-
SUPS 4-2-57	514.1402.577	2,376.47 €	2,828.00 €	-	-	-
SUPS 4-2-62	514.1402.627	2,412.61 €	2,871.00 €	-	-	-
SUPS 4-3-4	514.1403.047	769.75 €	916.00 €	514.1403.048	715.97 €	852.00 €
SUPS 4-3-6	514.1403.067	685.71 €	816.00 €	514.1403.068	727.73 €	866.00 €
SUPS 4-3-9	514.1403.097	748.74 €	891.00 €	514.1403.098	800.00 €	952.00 €
SUPS 4-3-12	514.1403.127	822.69 €	979.00 €	514.1403.128	877.31 €	1,044.00 €
SUPS 4-3-15	514.1403.157	906.72 €	1,079.00 €	514.1403.158	979.83 €	1,166.00 €
SUPS 4-3-18	514.1403.187	1,009.24 €	1,201.00 €	514.1403.188	1,082.35 €	1,288.00 €
SUPS 4-3-22	514.1403.227	1,200.84 €	1,429.00 €	514.1403.228	1,404.20 €	1,671.00 €
SUPS 4-3-25	514.1403.257	1,263.03 €	1,503.00 €	514.1403.258	1,466.39 €	1,745.00 €
SUPS 4-3-31	514.1403.317	1,438.66 €	1,712.00 €	514.1403.318	1,739.50 €	2,070.00 €
SUPS 4-3-37	514.1403.377	1,575.63 €	1,875.00 €	514.1403.378	1,878.15 €	2,235.00 €
SUPS 4-3-44	514.1403.447	2,057.98 €	2,449.00 €	-	-	-
SUPS 4-3-51	514.1403.517	2,220.17 €	2,642.00 €	-	-	-
SUPS 4-3-57	514.1403.577	2,450.42 €	2,916.00 €	-	-	-
SUPS 4-3-62	514.1403.627	2,553.78 €	3,039.00 €	-	-	-
SUPS 4-3-67	514.1403.677	2,689.08 €	3,200.00 €	-	-	-
SUPS 4-5-3	514.1405.037	665.55 €	792.00 €	514.1405.038	705.04 €	839.00 €
SUPS 4-5-4	514.1405.047	675.63 €	804.00 €	514.1405.048	715.13 €	851.00 €
SUPS 4-5-6	514.1405.067	742.02 €	883.00 €	514.1405.068	793.28 €	944.00 €
SUPS 4-5-9	514.1405.097	777.31 €	925.00 €	514.1405.098	833.61 €	992.00 €
SUPS 4-5-13	514.1405.137	919.33 €	1,094.00 €	514.1405.138	992.44 €	1,181.00 €
SUPS 4-5-18	514.1405.187	1,105.88 €	1,316.00 €	514.1405.188	1,318.49 €	1,569.00 €
SUPS 4-5-23	514.1405.237	1,321.85 €	1,573.00 €	514.1405.238	1,622.69 €	1,931.00 €
SUPS 4-5-27	514.1405.277	1,474.79 €	1,755.00 €	514.1405.278	1,777.31 €	2,115.00 €
SUPS 4-5-32	514.1405.327	1,703.36 €	2,027.00 €	-	-	-
SUPS 4-5-37	514.1405.377	1,806.72 €	2,150.00 €	-	-	-
SUPS 4-5-42	514.1405.427	2,478.15 €	2,949.00 €	-	-	-
SUPS 4-5-45	514.1405.457	2,600.84 €	3,095.00 €	-	-	-
SUPS 4-5-49	514.1405.497	2,748.74 €	3,271.00 €	-	-	-
SUPS 4-5-53	514.1405.537	3,002.52 €	3,573.00 €	-	-	-
SUPS 4-5-57	514.1405.577	3,068.07 €	3,651.00 €	-	-	-
SUPS 4-5-62	514.1405.627	3,132.77 €	3,728.00 €	-	-	-
SUPS 4-5-67	514.1405.677	3,188.24 €	3,794.00 €	-	-	-

SUPS 4



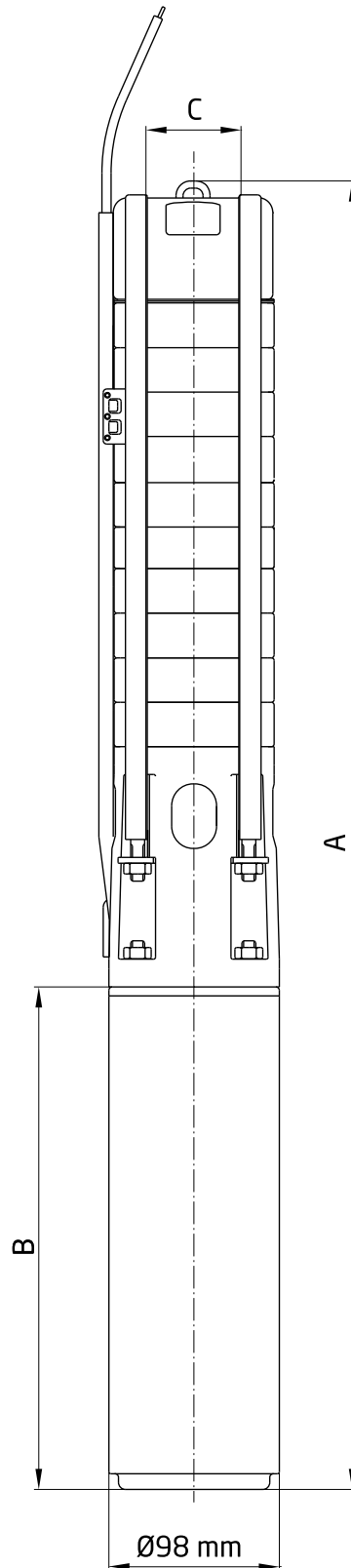
Order information

Type	Three phase 3~ 400 V article no.	Net RRP	Gross RRP	Single-phase 1~ 230 V article no.	Net RRP	Gross RRP
SUPS 4-8-2	514.1408.027	744.54 €	886.00 €	514.1408.028	691.60 €	823.00 €
SUPS 4-8-3	514.1408.037	661.34 €	787.00 €	514.1408.038	703.36 €	837.00 €
SUPS 4-8-4	514.1408.047	687.39 €	818.00 €	514.1408.048	738.66 €	879.00 €
SUPS 4-8-6	514.1408.067	745.38 €	887.00 €	514.1408.068	801.68 €	954.00 €
SUPS 4-8-9	514.1408.097	844.54 €	1,005.00 €	514.1408.098	919.33 €	1,094.00 €
SUPS 4-8-12	514.1408.127	975.63 €	1,161.00 €	514.1408.128	1,223.53 €	1,456.00 €
SUPS 4-8-15	514.1408.157	1,231.93 €	1,466.00 €	514.1408.158	1,542.86 €	1,836.00 €
SUPS 4-8-18	514.1408.187	1,301.68 €	1,549.00 €	514.1408.188	1,614.29 €	1,921.00 €
SUPS 4-8-22	514.1408.227	1,568.07 €	1,866.00 €	-	-	-
SUPS 4-8-25	514.1408.257	1,641.18 €	1,953.00 €	-	-	-
SUPS 4-8-28	514.1408.287	1,847.90 €	2,199.00 €	-	-	-
SUPS 4-8-31	514.1408.317	1,921.85 €	2,287.00 €	-	-	-
SUPS 4-8-34	514.1408.347	2,020.17 €	2,404.00 €	-	-	-
SUPS 4-8-38	514.1408.387	2,438.66 €	2,902.00 €	-	-	-
SUPS 4-8-42	514.1408.427	2,939.50 €	3,498.00 €	-	-	-
SUPS 4-8-46	514.1408.467	3,081.51 €	3,667.00 €	-	-	-
SUPS 4-8-52	514.1408.527	3,452.10 €	4,108.00 €	-	-	-
SUPS 4-8-57	514.1408.577	3,594.96 €	4,278.00 €	-	-	-
SUPS 4-8-62	514.1408.627	3,741.18 €	4,452.00 €	-	-	-
SUPS 4-14-2	514.1414.027	847.90 €	1,009.00 €	-	-	-
SUPS 4-14-4	514.1414.047	1,037.82 €	1,235.00 €	-	-	-
SUPS 4-14-6	514.1414.067	1,216.81 €	1,448.00 €	-	-	-
SUPS 4-14-8	514.1414.087	1,427.73 €	1,699.00 €	-	-	-
SUPS 4-14-11	514.1414.117	1,852.10 €	2,204.00 €	-	-	-
SUPS 4-14-13	514.1414.137	2,003.36 €	2,384.00 €	-	-	-
SUPS 4-14-15	514.1414.157	2,263.03 €	2,693.00 €	-	-	-
SUPS 4-14-17	514.1414.177	2,488.24 €	2,961.00 €	-	-	-
SUPS 4-14-20	514.1414.207	2,823.53 €	3,360.00 €	-	-	-
SUPS 4-14-23	514.1414.237	3,048.74 €	3,628.00 €	-	-	-
SUPS 4-14-27	514.1414.277	3,569.75 €	4,248.00 €	-	-	-
SUPS 4-14-30	514.1414.307	3,800.84 €	4,523.00 €	-	-	-

SUPS 4



Dimensions



SUPS 4



Dimensions

Type	A 3~/1~	B 3~/1~	C
SUPS 4-2-5	538/538	237/237	Rp 1 ½
SUPS 4-2-7	610/624	237/251	Rp 1 ½
SUPS 4-2-11	721/746	251/276	Rp 1 ½
SUPS 4-2-15	837/863	271/297	Rp 1 ½
SUPS 4-2-19	960/984	297/321	Rp 1 ½
SUPS 4-2-23	1056/1080	297/321	Rp 1 ½
SUPS 4-2-27	1177/1209	321/353	Rp 1 ½
SUPS 4-2-31	1273/1305	321/353	Rp 1 ½
SUPS 4-2-37	1450/1548	353/451	Rp 1 ½
SUPS 4-2-42	1570/1668	353/451	Rp 1 ½
SUPS 4-2-46	1667/1765	353/451	Rp 1 ½
SUPS 4-2-52	1867/-	408/-	Rp 1 ½
SUPS 4-2-57	1987/-	408/-	Rp 1 ½
SUPS 4-2-62	2108/-	408/-	Rp 1 ½
SUPS 4-3-4	537/537	237/237	Rp 1 ½
SUPS 4-3-6	568/600	237/251	Rp 1 ½
SUPS 4-3-9	672/697	251/276	Rp 1 ½
SUPS 4-3-12	764/790	271/297	Rp 1 ½
SUPS 4-3-15	863/887	297/321	Rp 1 ½
SUPS 4-3-18	935/959	297/321	Rp 1 ½
SUPS 4-3-22	1056/1088	321/353	Rp 1 ½
SUPS 4-3-25	112/1160	321/353	Rp 1 ½
SUPS 4-3-31	1305/1403	353/451	Rp 1 ½
SUPS 4-3-37	1449/1547	353/451	Rp 1 ½
SUPS 4-3-44	1673/-	408/-	Rp 1 ½
SUPS 4-3-51	1842/-	408/-	Rp 1 ½
SUPS 4-3-57	2099/-	520/-	Rp 1 ½
SUPS 4-3-62	2219/-	520/-	Rp 1 ½
SUPS 4-3-67	2363/-	543/-	Rp 1 ½
SUPS 4-5-3	513/513	237/237	Rp 1 ½
SUPS 4-5-4	537/551	237/251	Rp 1 ½
SUPS 4-5-6	600/625	251/276	Rp 1 ½
SUPS 4-5-9	692/718	271/297	Rp 1 ½
SUPS 4-5-13	815/839	297/321	Rp 1 ½
SUPS 4-5-18	959/991	321/353	Rp 1 ½
SUPS 4-5-23	1112/1210	353/451	Rp 1 ½
SUPS 4-5-27	1208/1306	353/451	Rp 1 ½
SUPS 4-5-32	1384/-	408/-	Rp 1 ½
SUPS 4-5-37	1504/-	408/-	Rp 1 ½
SUPS 4-5-42	1737/-	520/-	Rp 1 ½
SUPS 4-5-45	1809/-	520/-	Rp 1 ½
SUPS 4-5-49	1929/-	543/-	Rp 1 ½
SUPS 4-5-53	2135/-	652/-	Rp 1 ½
SUPS 4-5-57	2232/-	652/-	Rp 1 ½
SUPS 4-5-62	2352/-	652/-	Rp 1 ½
SUPS 4-5-67	2473/-	652/-	Rp 1 ½

Type	A 3~/1~	B 3~/1~	C
SUPS 4-8-2	489/489	237/237	Rp 2
SUPS 4-8-3	513/527	237/251	Rp 2
SUPS 4-8-4	551/576	251/276	Rp 2
SUPS 4-8-6	620/646	271/297	Rp 2
SUPS 4-8-9	718/742	297/321	Rp 2
SUPS 4-8-12	814/846	321/353	Rp 2
SUPS 4-8-15	919/1017	353/451	Rp 2
SUPS 4-8-18	991/1089	353/451	Rp 2
SUPS 4-8-22	1143/-	408/-	Rp 2
SUPS 4-8-25	1215/-	408/-	Rp 2
SUPS 4-8-28	1399/-	520/-	Rp 2
SUPS 4-8-31	1472/-	520/-	Rp 2
SUPS 4-8-34	1567/-	543/-	Rp 2
SUPS 4-8-38	1774/-	652/-	Rp 2
SUPS 4-8-42	1870/-	652/-	Rp 2
SUPS 4-8-46	1967/-	652/-	Rp 2
SUPS 4-8-52	2189/-	730/-	Rp 2
SUPS 4-8-57	2340/-	730/-	Rp 2
SUPS 4-8-62	2340/-	730/-	Rp 2
SUPS 4-14-2	567/-	226/-	Rp 2
SUPS 4-14-4	773/-	282/-	Rp 2
SUPS 4-14-6	948/-	307/-	Rp 2
SUPS 4-14-8	1130/-	339/-	Rp 2
SUPS 4-14-11	1410/-	394/-	Rp 2
SUPS 4-14-13	1560/-	394/-	Rp 2
SUPS 4-14-15	1836/-	520/-	Rp 2
SUPS 4-14-17	2009/-	543/-	Rp 2
SUPS 4-14-20	2344/-	653/-	Rp 2
SUPS 4-14-23	2569/-	653/-	Rp 2
SUPS 4-14-27	2947/-	731/-	Rp 2
SUPS 4-14-30	3172/-	731/-	Rp 2